



BRAKE PAD

P 85 150

The P 85 150 brake pad is synonymous with reliability

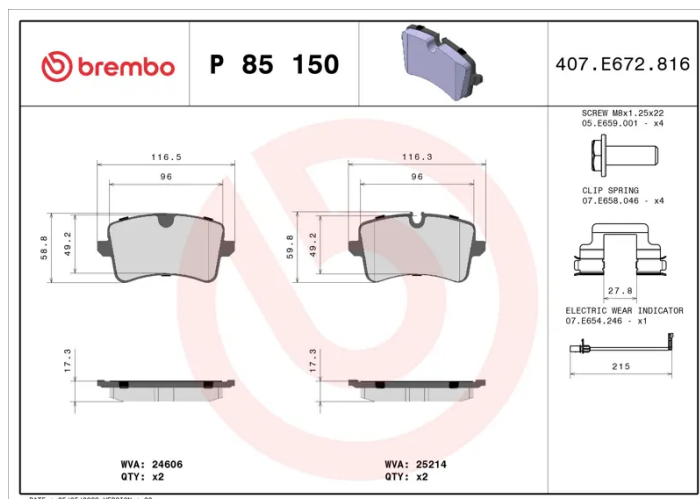
The Brembo brake pad guarantees ultimate safety when braking thanks to the use of more than 100 different compounds, designed according to the type of vehicle and use. Stopping distances reduced to a minimum, maximum driving comfort and silent operation are the most important features of Brembo materials. Brembo brake pads are supplied together with an extensive range of accessories and assembly kits for professional-standard installation.

- ✓ OE-equivalent
- ✓ Brembo quality
- ✓ ECE-R90 certificate
- ✓ Safety
- ✓ Performance
- ✓ Comfort
- ✓ With accessories



Technical specifications

EAN code 8020584084045	Axle Rear	Thickness 18 mm
Width 117 mm	Height 59 mm	Braking system Lucas
Wear indicator Electric	WVA number 25214,24606	Accessories With brake caliper bolts With accessories With anti-squeal shim



COMPATIBLE VEHICLES

COMPATIBLE OE PART NUMBERS

4G0698451A	AUDI
------------	------

4G0698451J	AUDI
------------	------

4GD698451A	AUDI (FAW)
------------	------------

9A769845100	PORSCHE
-------------	---------

PAB698451	PORSCHE
-----------	---------

4G0698451A	SEAT
------------	------

4G0698451J	SEAT
------------	------

4G0698451A	SKODA
------------	-------

4G0698451J	SKODA
------------	-------

4G0698451A	VW
------------	----

4G0698451J	VW
------------	----