



SPORT | TY3 BRAKE DISC

59.E114.75

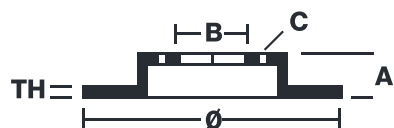
The **59.E114.75** brake disc is synonymous with reliability

Type-3 slotting used to distinguish the Brembo SPORT | TY3 brake disc is widely used in professional motorsports. It therefore offers superior initial response with excellent release characteristics, improving braking performance while giving the vehicle an aggressive appearance. The Brembo logo on the braking surface adds an exclusive and unique touch to the vehicle. The SPORT | TY3 brake discs are plug-and-play since they replace OE discs directly.

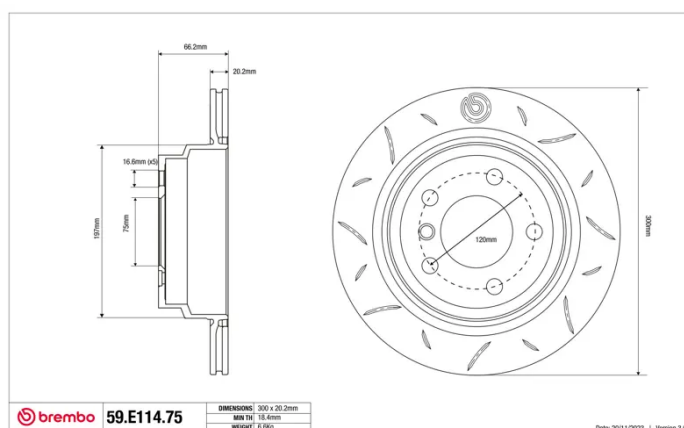


- ✓ OE-equivalent
- ✓ Brembo quality
- ✓ ECE-R90 certificate
- ✓ Safety
- ✓ Performance
- ✓ Comfort
- ✓ Sports driving
- ✓ Sparty look

Technical specifications



Diameter	Thickness (TH)	Height (A)
300 mm	20 mm	66 mm
Number of holes (C)	Brake disc type	Centering
5	Solid	75 mm
Min. thickness	Axle	
18,4 mm	Rear	
Units per box	EAN code	
1	8020584605486	



brembo **59.E114.75**

DIMENSIONI	300 x 20.2mm
MIN TH	18.4mm
WEIGHT	6.0kg

Date: 2011/2023 | Version: 3.00

