



BRAKE DISC PAINTED

08.B271.11

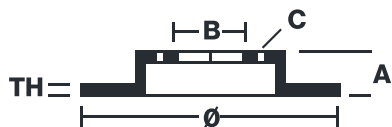
The 08.B271.11 painted brake disc is synonymous with reliability

The Brembo brake disc with special UV paint treatment guarantees superior corrosion resistance for the product, thanks to the protective coating on the outer edges and on the disc hub. The UV paint not only gives the disc a clean, shiny appearance but is also beneficial for the environment as the water-based UV paint treatment does not require the use of chemical solvents and is a low energy consumption process.

- ✓ OE-equivalent
- ✓ Brembo quality
- ✓ ECE-R90 certificate
- ✓ Safety
- ✓ Anti-corrosion
- ✓ Fastening screws



Technical specifications



EAN code
8020584210611

Axle
Rear

Diameter \emptyset
282 mm

Thickness (TH)
9 mm

Height (A)
49 mm

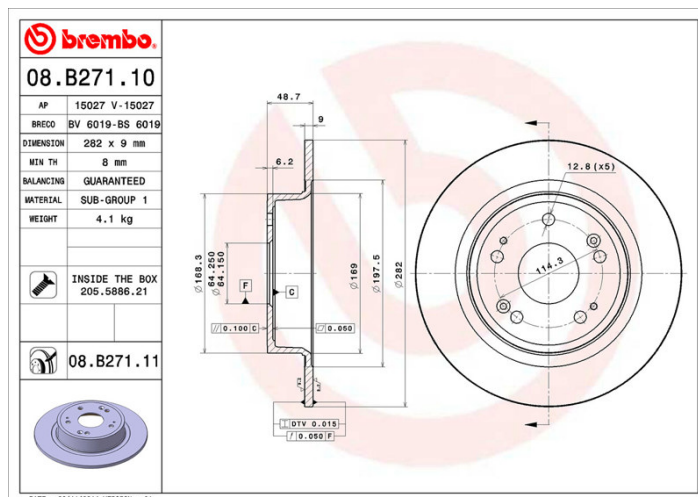
Number of holes (C)
5

Brake disc type
Solid

Centering (B)
64 mm

Min. thickness
8 mm

Tightening torque
108 Nm



COMPATIBLE VEHICLES

COMPATIBLE OE PART NUMBERS

42510TA0A00 ACURA

42510TA0A01 ACURA

42510TA0A02 ACURA

42510T7JH00 ACURA (GAC)

42510SFY000 HONDA

42510T7JH00 HONDA

42510T8NT00 HONDA

42510TA0A00 HONDA

42510TA0A01 HONDA

42510TA0A02 HONDA

42510TC0T00 HONDA

42510T7JH00 HONDA (DONGFENG)

42510TP5H00 HONDA (DONGFENG)

42510T7JH00 HONDA (GAC)

42510TB0W00 HONDA (GAC)

42510TA0A01 PROTON
