



# BRAKE DISC

## 09.B356.10

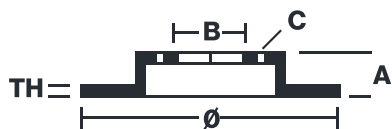
The **09.B356.10** brake disc is synonymous with reliability

The Brembo brake disc is fully interchangeable with an Original Equipment brake disc. The control of the entire production cycle allows Brembo to offer brake discs with outstanding performance levels, reliability, durability and comfort in all conditions of use. All Brembo brake discs are accompanied by the ECE-R90 homologation.

- ✓ OE-equivalent
- ✓ Brembo quality
- ✓ ECE-R90 certificate
- ✓ Safety
- ✓ High carbon



### Technical specifications



EAN code  
**8020584038253**

Axle  
**Front**

Diameter Ø  
**300** mm

Thickness (TH)  
**26** mm

Height (A)  
**46** mm

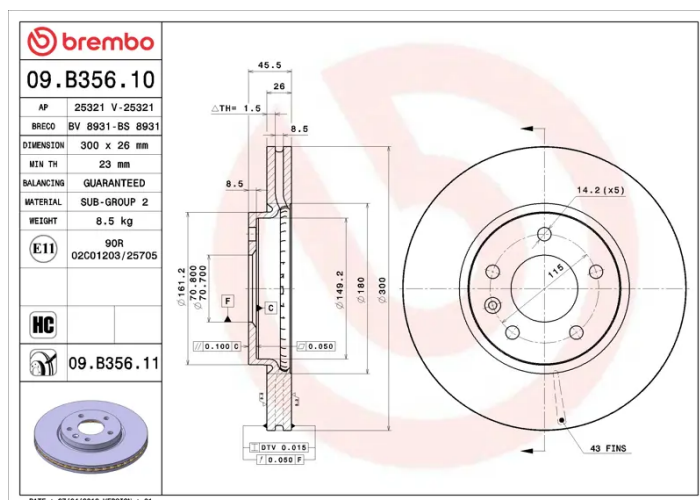
Number of holes (C)  
**5**

Brake disc type  
**Ventilated**

Centering (B)  
**71** mm

Min. thickness  
**23** mm

Tightening torque  
**110** Nm



COMPATIBLE VEHICLES

## COMPATIBLE OE PART NUMBERS

13502052	BUICK (SGM)
13502051	CHEVROLET
13502052	CHEVROLET
13503988	CHEVROLET
23118275	CHEVROLET
13502052	CHEVROLET (SGM)
13502051	OPEL
13502052	OPEL
13503988	OPEL
23118060	OPEL
569070	OPEL
569076	OPEL
569082	OPEL
569098	OPEL
95527031	OPEL
13502051	VAUXHALL
13502052	VAUXHALL
13503988	VAUXHALL
23118060	VAUXHALL
95527031	VAUXHALL