



BRAKE DISC PAINTED

09.D307.11

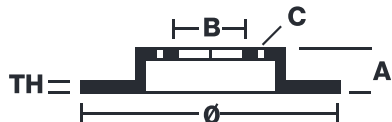
The 09.D307.11 painted brake disc is synonymous with reliability

The Brembo brake disc with special UV paint treatment guarantees superior corrosion resistance for the product, thanks to the protective coating on the outer edges and on the disc hub. The UV paint not only gives the disc a clean, shiny appearance but is also beneficial for the environment as the water-based UV paint treatment does not require the use of chemical solvents and is a low energy consumption process.

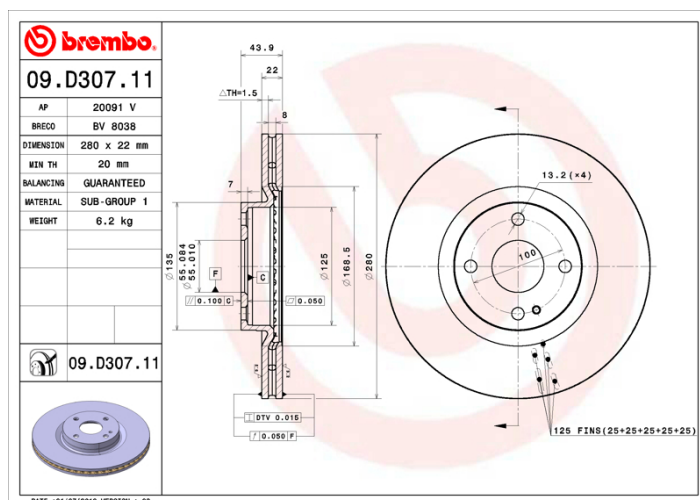


- ✓ OE-equivalent
- ✓ Brembo quality
- ✓ ECE-R90 certificate
- ✓ Safety
- ✓ Anti-corrosion

Technical specifications



EAN code	Diameter Ø	
8020584239902	280 mm	
Thickness (TH)	Height (A)	Number of holes (C)
22 mm	44 mm	4
Brake disc type	Centering (B)	Min. thickness
Ventilated	55 mm	20 mm



COMPATIBLE OE PART NUMBERS

6000612391	ABARTH
6000612391	FIAT
N25133251	MAZDA