

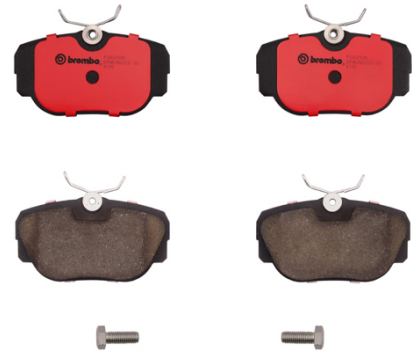


BRAKE PAD NAO P06010N

The P06010N NAO brake pad is synonymous with reliability



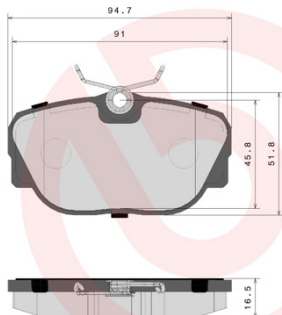

Brembo NAO brake pads stand out for their ultimate braking comfort, reduced friction wear and low dust mission, which makes for cleaner rims and reduced maintenance requirements. The advanced friction material in keeping with the strictest environmental standards is the main distinguishing feature of NAO compounds.

- ✓ OE-equivalent
- ✓ Brembo quality
- ✓ Safety
- ✓ Comfort
- ✓ Durability
- ✓ Dust reduction
- ✓ With accessories



Technical specifications

EAN code 8020584095799	Axle Front	Thickness 17 mm
Width 95 mm	Height 52 mm	Braking system Lucas
Wear indicator Prepared for wear indicator	WVA number 21173	Accessories With brake caliper bolts With anti-squeal shim

	P06010N		407.E672.003.N
			SCREW M8x1,25x21 05_E659.000 - x2 
WVA: 21173 QTY: x4			
<small>DATE : 27/11/2023 VERSION : 00</small>			

COMPATIBLE VEHICLES

COMPATIBLE OE PART NUMBERS

34111154377 BMW

34111154442 BMW

34111154443 BMW

34111155998 BMW

34111155999 BMW

34111156898 BMW

34111156899 BMW

34111157747 BMW

34111157748 BMW

34111160522 BMW

34111161057 BMW

34111161347 BMW

34111161349 BMW

34111162481 BMW

34119058982 BMW

34119058989 BMW
