



BRAKE PAD PRIME CERAMIC P11032N

The P11032N NAO brake pad is synonymous with reliability

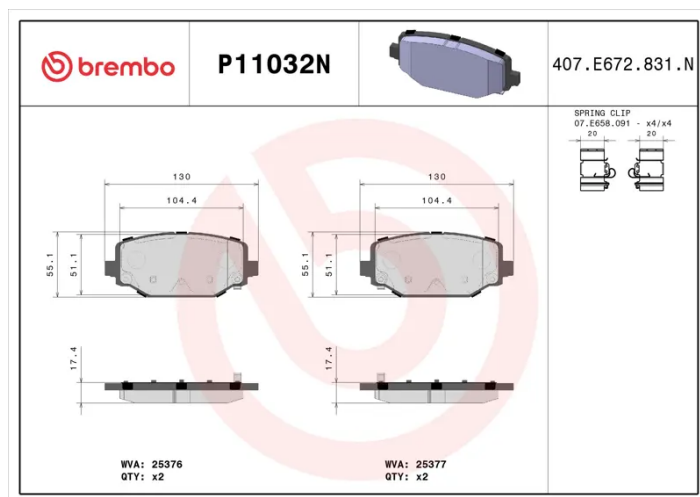
Brembo NAO brake pads stand out for their ultimate braking comfort, reduced friction wear and low dust mission, which makes for cleaner rims and reduced maintenance requirements. The advanced friction material in keeping with the strictest environmental standards is the main distinguishing feature of NAO compounds.

- ✓ OE-equivalent
- ✓ Brembo quality
- ✓ Safety
- ✓ Comfort
- ✓ Durability
- ✓ Dust reduction
- ✓ With accessories



Technical specifications

EAN code 8020584081389	Axle Rear	Thickness 17 mm
Width 130 mm	Height 55 mm	Braking system TRW
Wear indicator Acoustic	WVA number 25376,25377	Accessories With anti-squeal shim



COMPATIBLE VEHICLES

COMPATIBLE OE PART NUMBERS

7B0698451B	AUDI
7B0698451H	AUDI
068144209AA	CHRYSLER
068159526AA	CHRYSLER
068159526AB	CHRYSLER
068159526AC	CHRYSLER
68144209AA	CHRYSLER
68159526AA	CHRYSLER
68159526AB	CHRYSLER
68159526AC	CHRYSLER
2AMV4526AA	DODGE
V2012439AB	DODGE
V2019526AA	DODGE
00K68159526AA	FIAT
K68159526AA	FIAT
00K68144209AA	LANCIA
00K68159526AA	LANCIA
00K68159526AB	LANCIA
00K68159526AC	LANCIA
00K68509721AA	LANCIA
K68144209AA	LANCIA
K68159526AA	LANCIA
K68159526AB	LANCIA
K68159526AC	LANCIA
K68509721AA	LANCIA
K68509721AB	LANCIA
7B0698451B	SEAT
7B0698451H	SEAT
7B0698451B	SKODA
7B0698451H	SKODA
7B0698451B	VW
7B0698451F	VW
7B0698451H	VW