

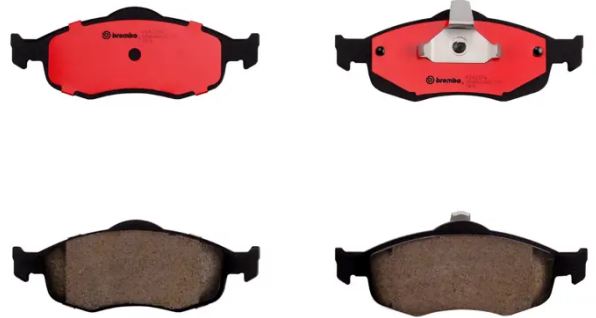


# BRAKE PAD PRIME CERAMIC P24037N

The P24037N NAO brake pad is synonymous with reliability

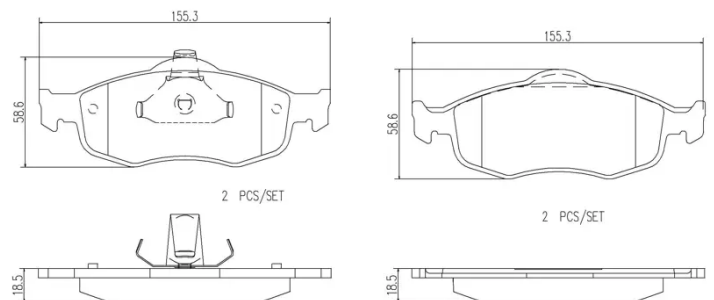
Brembo NAO brake pads stand out for their ultimate braking comfort, reduced friction wear and low dust mission, which makes for cleaner rims and reduced maintenance requirements. The advanced friction material in keeping with the strictest environmental standards is the main distinguishing feature of NAO compounds.

- ✓ OE-equivalent
- ✓ Brembo quality
- ✓ Safety
- ✓ Comfort
- ✓ Durability
- ✓ Dust reduction
- ✓ With accessories



## Technical specifications

EAN code <b>8020584096932</b>	Axle <b>Front</b>	Thickness <b>19 mm</b>
Width <b>155 mm</b>	Height <b>59 mm</b>	Braking system <b>Teves</b>
Wear indicator <b>Without</b>	WVA number <b>21394,23071</b>	Accessories <b>With accessories</b> <b>With anti-squeal shim</b> <b>With piston clip</b>



COMPATIBLE VEHICLES

## COMPATIBLE OE PART NUMBERS

1073731 FORD

---

1079347 FORD

---

1095201 FORD

---

1096942 FORD

---

1130759 FORD

---

1521326 FORD

---

1652285 FORD

---

5029147 FORD

---

6877836 FORD

---

6882584 FORD

---

93BB2K021EB FORD

---

93BX2K021AA FORD

---

93GB2K021CB FORD

---

97BG2K021BA FORD

---

97BG2K021BB FORD

---

97BX2K021BA FORD

---

97BX2K021BB FORD

---

97BX2K021BC FORD

---

F5RZ2001A FORD

---

F5RZ2001C FORD

---

ME97BX2K021BD FORD

---

R86GB8005EB FORD

---

F5RZ2001C FORD USA

---

XS8Z2001BA FORD USA

---

XS8Z2001CA FORD USA

---

2U2Z2V001JA MERCURY

---

XS8Z2001BA MERCURY

---

XS8Z2001CA MERCURY

---