



BRAKE PAD PRIME CERAMIC P24170N

The P24170N NAO brake pad is synonymous with reliability

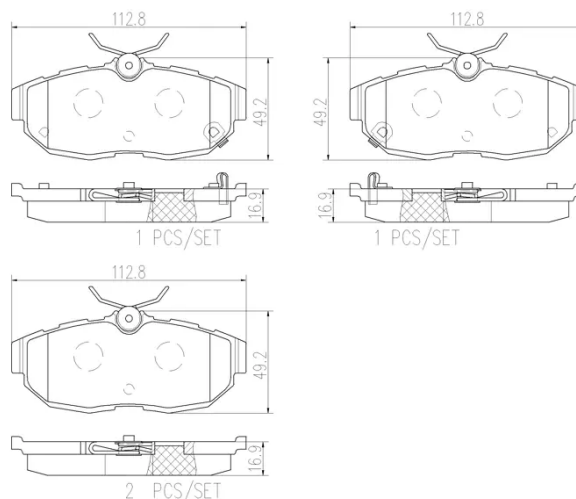
Brembo NAO brake pads stand out for their ultimate braking comfort, reduced friction wear and low dust mission, which makes for cleaner rims and reduced maintenance requirements. The advanced friction material in keeping with the strictest environmental standards is the main distinguishing feature of NAO compounds.

- ✓ OE-equivalent
- ✓ Brembo quality
- ✓ Safety
- ✓ Comfort
- ✓ Durability
- ✓ Dust reduction
- ✓ With accessories



Technical specifications

EAN code 8020584081075	Axle Rear	Thickness 17 mm
Width 113 mm	Height 49 mm	
Wear indicator Acoustic	WVA number 22360,22361,22362	Accessories With accessories With anti-squeal shim With piston clip



COMPATIBLE VEHICLES

COMPATIBLE OE PART NUMBERS

CU2Z2V200C	FORD ASIA & OCEANIA
------------	---------------------

AR3Z2200A	FORD AUSTRALIA
-----------	----------------

CR3Z2200C	FORD AUSTRALIA
-----------	----------------

BR3Z2200A	FORD USA
-----------	----------

BR3Z2200B	FORD USA
-----------	----------

CR3Z2200C	FORD USA
-----------	----------

CR3Z2200D	FORD USA
-----------	----------

CR3Z2200E	FORD USA
-----------	----------

CU2Z2V200B	FORD USA
------------	----------

DR3Z2200B	FORD USA
-----------	----------

DR3Z2200C	FORD USA
-----------	----------