



BRAKE PAD PRIME CERAMIC P50160N

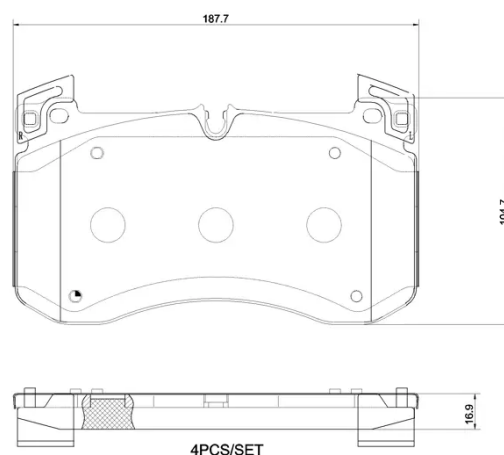
The P50160N NAO brake pad is synonymous with reliability

Brembo NAO brake pads stand out for their ultimate braking comfort, reduced friction wear and low dust mission, which makes for cleaner rims and reduced maintenance requirements. The advanced friction material in keeping with the strictest environmental standards is the main distinguishing feature of NAO compounds.

- ✓ OE-equivalent
- ✓ Brembo quality
- ✓ Safety
- ✓ Comfort
- ✓ Durability
- ✓ Dust reduction
- ✓ With accessories

Technical specifications

EAN code	Axle	Thickness
8020584119549	Front	17 mm
Width	Height	Braking system
188 mm	105 mm	Brembo
Wear indicator	WVA number	Accessories
Prepared for wear indicator	22697	With counterweights With anti-squeal shim



COMPATIBLE VEHICLES

COMPATIBLE OE PART NUMBERS

0004201303	MERCEDES-BENZ
------------	---------------

0004201906	MERCEDES-BENZ
------------	---------------

0004202405	MERCEDES-BENZ
------------	---------------

0004204105	MERCEDES-BENZ
------------	---------------

0004204603	MERCEDES-BENZ
------------	---------------

0004205002	MERCEDES-BENZ
------------	---------------

0004215702	MERCEDES-BENZ
------------	---------------

A0004201303	MERCEDES-BENZ
-------------	---------------

A0004201906	MERCEDES-BENZ
-------------	---------------

A0004202405	MERCEDES-BENZ
-------------	---------------

A0004204105	MERCEDES-BENZ
-------------	---------------

A0004204603	MERCEDES-BENZ
-------------	---------------

A0004205002	MERCEDES-BENZ
-------------	---------------