



BRAKE PAD XTRA CERAMIC P85150NX

Xtra Ceramic brake pad P85150NX belongs to Brembo Cool Line

Brembo Xtra Ceramic brake pads have a specific compound which, beside being copper free, also contains less metal compared to Xtra pads. This feature make Xtra Ceramic more focused on comfort and cleaner rims, thanks to the ceramic friction material, while guaranteeing the top performance proper of the Xtra line. Xtra Ceramic range is fully ECE R90 homologated.

- ✓ OE-equivalent
- ✓ Brembo quality
- ✓ ECE-R90 certificate
- ✓ Safety
- ✓ Performance
- ✓ Dust reduction
- ✓ Comfort
- ✓ With accessories

Technical specifications

EAN code
8020584130575

Axle
Rear

Thickness
18 mm

Width
117 mm

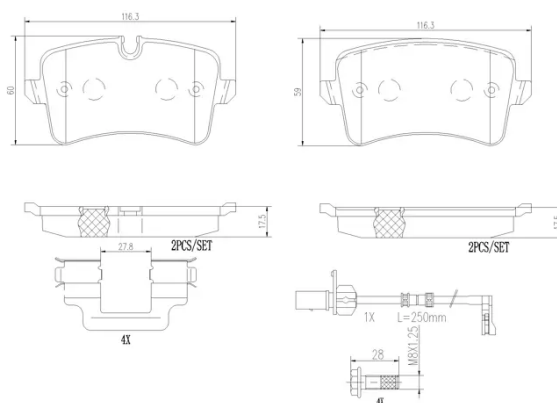
Height
59 mm

Braking system
Lucas

Wear indicator
Electric

WVA number
24606,25214

Accessories
With brake caliper bolts
With accessories
With anti-squeal shim



COMPATIBLE VEHICLES

COMPATIBLE OE PART NUMBERS

4G0698451A	AUDI
------------	------

4G0698451J	AUDI
------------	------

4GD698451A	AUDI (FAW)
------------	------------

9A769845100	PORSCHE
-------------	---------

PAB698451	PORSCHE
-----------	---------

4G0698451A	SEAT
------------	------

4G0698451J	SEAT
------------	------

4G0698451A	SKODA
------------	-------

4G0698451J	SKODA
------------	-------

4G0698451A	VW
------------	----

4G0698451J	VW
------------	----