



BRAKE PAD

P 23 180

The P 23 180 brake pad is synonymous with reliability

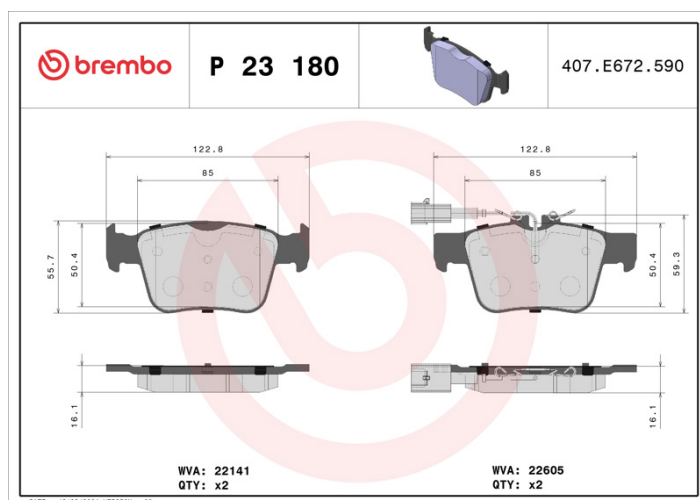
The Brembo brake pad guarantees ultimate safety when braking thanks to the use of more than 100 different compounds, designed according to the type of vehicle and use. Stopping distances reduced to a minimum, maximum driving comfort and silent operation are the most important features of Brembo materials. Brembo brake pads are supplied together with an extensive range of accessories and assembly kits for professional-standard installation.

- ✓ OE-equivalent
- ✓ Brembo quality
- ✓ ECE-R90 certificate
- ✓ Safety
- ✓ Performance
- ✓ Comfort



Technical specifications

EAN code 8020584087053	Axle Rear	Thickness 16 mm
Width 123 mm	Height 56 mm	Braking system Teves
Wear indicator Electric	WVA number 22604,22605	Accessories With anti-squeal shim



COMPATIBLE VEHICLES

COMPATIBLE OE PART NUMBERS

0000077368716 ALFA ROMEO

68318394AA ALFA ROMEO

68501180AA ALFA ROMEO

77367718 ALFA ROMEO

77368283 ALFA ROMEO

77368716 ALFA ROMEO

77369186 ALFA ROMEO

673004626 MASERATI
