



BRAKE PAD

P 28 051

The P 28 051 brake pad is synonymous with reliability

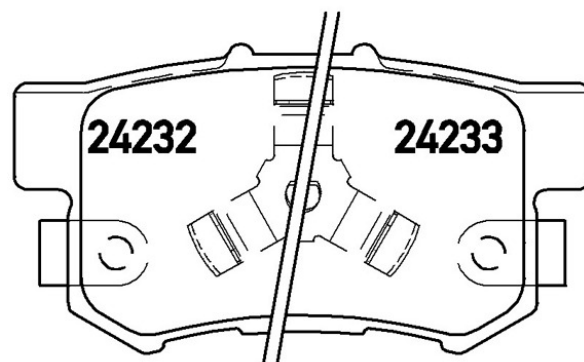
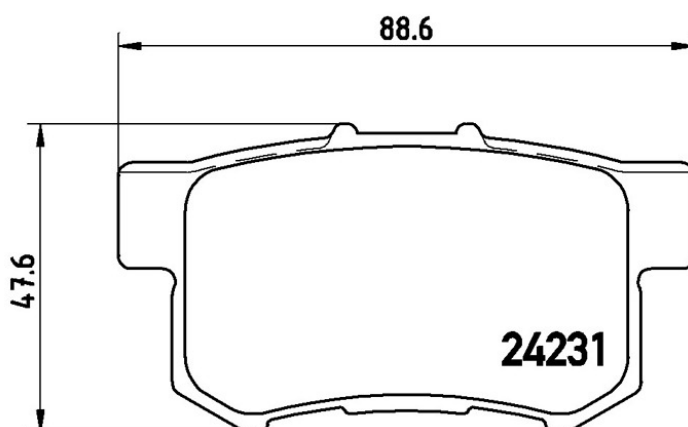
The Brembo brake pad guarantees ultimate safety when braking thanks to the use of more than 100 different compounds, designed according to the type of vehicle and use. Stopping distances reduced to a minimum, maximum driving comfort and silent operation are the most important features of Brembo materials. Brembo brake pads are supplied together with an extensive range of accessories and assembly kits for professional-standard installation.

- ✓ OE-equivalent
- ✓ Brembo quality
- ✓ ECE-R90 certificate
- ✓ Safety
- ✓ Performance
- ✓ Comfort



Technical specifications

| | | |
|----------------------|--------------------------|-------------------------|
| EAN code | Axle | Thickness |
| 8020584091104 | Rear | 15 mm |
| Width | Height | Braking system |
| 89 mm | 48 mm | Akebono |
| Wear indicator | WVA number | Accessories |
| Acoustic | 24232,24233,24231 | With piston clip |



COMPATIBLE OE PART NUMBERS

| | |
|-------------|------------------|
| 43022SXS010 | ACURA |
| 43022T0GA00 | ACURA |
| 43022T0GA01 | ACURA |
| 43022TP6H00 | ACURA |
| 06430S0KJ01 | HONDA |
| 06430S0NJ00 | HONDA |
| 06430S2XJ00 | HONDA |
| 06430S3NJ00 | HONDA |
| 06430S7AJ00 | HONDA |
| 06430S7S000 | HONDA |
| 06430S9A010 | HONDA |
| 06430SCVA00 | HONDA |
| 06430SED000 | HONDA |
| 06430SEDE50 | HONDA |
| 43022S7S000 | HONDA |
| 43022S9A000 | HONDA |
| 43022S9A010 | HONDA |
| 43022S9A020 | HONDA |
| 43022S9AE00 | HONDA |
| 43022SCVA00 | HONDA |
| 43022SJF000 | HONDA |
| 43022SP0010 | HONDA |
| 43022SP0305 | HONDA |
| 43022SXS000 | HONDA |
| 43022T0GA00 | HONDA |
| 43022T0TH00 | HONDA |
| 43022T2MT00 | HONDA |
| 43022TLOG50 | HONDA |
| 43022TLOG51 | HONDA |
| 43022TLOG52 | HONDA |
| 43022TP6A00 | HONDA |
| 43022TP6A01 | HONDA |
| 43022T0TH00 | HONDA (DONGFENG) |
| 43022T0TH00 | HONDA (GAC) |
| 586202984 | ISUZU |
| 586207073 | ISUZU |
| 586207204 | ISUZU |
| AY060HN005 | NISSAN |