



BRAKE PAD

P 41 004

The P 41 004 brake pad is synonymous with reliability

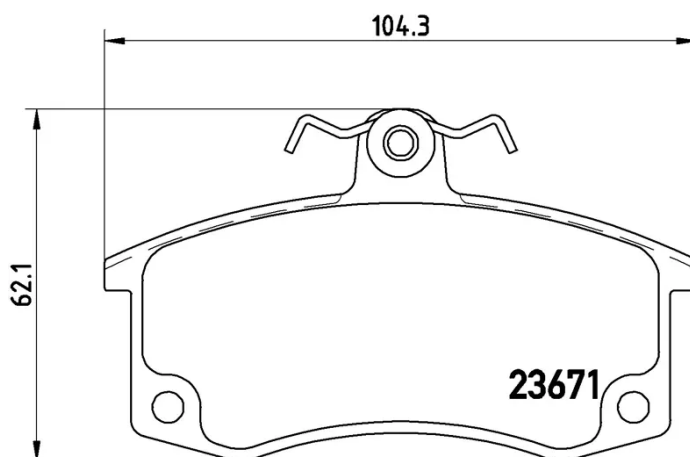
The Brembo brake pad guarantees ultimate safety when braking thanks to the use of more than 100 different compounds, designed according to the type of vehicle and use. Stopping distances reduced to a minimum, maximum driving comfort and silent operation are the most important features of Brembo materials. Brembo brake pads are supplied together with an extensive range of accessories and assembly kits for professional-standard installation.

- ✓ OE-equivalent
- ✓ Brembo quality
- ✓ ECE-R90 certificate
- ✓ Safety
- ✓ Performance
- ✓ Comfort
- ✓ With accessories



Technical specifications

EAN code	Axle	Thickness
8020584053225	Front	17 mm
Width	Height	Braking system
104 mm	62 mm	Lucas
Wear indicator	WVA number	Accessories
Acoustic	23671	With accessories With anti-squeal shim With brake caliper bolts



COMPATIBLE VEHICLES

COMPATIBLE OE PART NUMBERS

11180350108000	LADA
----------------	------

21083501080	LADA
-------------	------

2108350108001	LADA
---------------	------

2108350108002	LADA
---------------	------

21100350108001	LADA
----------------	------

21103501080	LADA
-------------	------

2110350108001	LADA
---------------	------

21905350108977	LADA
----------------	------

21920350108010	LADA
----------------	------
