



# BRAKE PAD

## P 85 190

The P 85 190 brake pad is synonymous with reliability

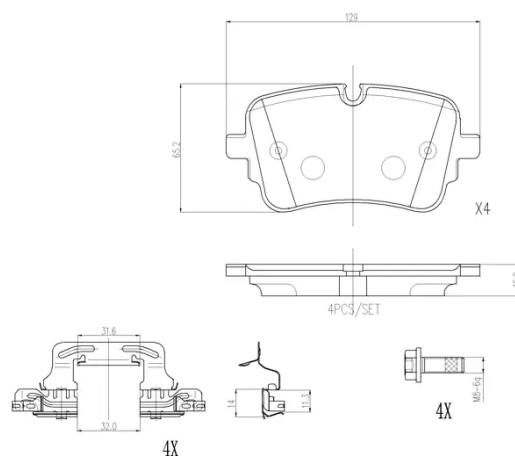
The Brembo brake pad guarantees ultimate safety when braking thanks to the use of more than 100 different compounds, designed according to the type of vehicle and use. Stopping distances reduced to a minimum, maximum driving comfort and silent operation are the most important features of Brembo materials. Brembo brake pads are supplied together with an extensive range of accessories and assembly kits for professional-standard installation.

- ✓ OE-equivalent
- ✓ Brembo quality
- ✓ ECE-R90 certificate
- ✓ Safety
- ✓ Performance
- ✓ Comfort



### Technical specifications

EAN code <b>8020584122921</b>	Axle <b>Rear</b>	Thickness <b>17 mm</b>
Width <b>129 mm</b>	Height <b>65 mm</b>	Braking system <b>TRW</b>
Wear indicator <b>Prepared for wear indicator</b>	WVA number <b>26267</b>	Accessories <b>With anti-squeal shim</b>



COMPATIBLE VEHICLES

## COMPATIBLE OE PART NUMBERS

4KE698451B AUDI

---

4KE698451D AUDI

---

4KE698451F AUDI

---

4M0698451AB AUDI

---

4M0698451AC AUDI

---

4M0698451AD AUDI

---

4M0698451AG AUDI

---

4M0698451BE AUDI

---

4M0698451BF AUDI

---

4M0698451BG AUDI

---

4N0698451E AUDI

---

4M0698451AB VW

---

4M0698451BE VW

---