



# BRAKE DISC

## 08.4738.14

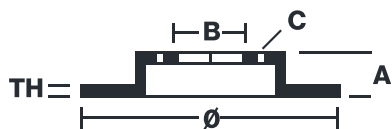
The 08.4738.14 brake disc is synonymous with reliability

The Brembo brake disc is fully interchangeable with an Original Equipment brake disc. The control of the entire production cycle allows Brembo to offer brake discs with outstanding performance levels, reliability, durability and comfort in all conditions of use. All Brembo brake discs are accompanied by the ECE-R90 homologation.

- ✓ OE-equivalent
- ✓ Brembo quality
- ✓ ECE-R90 certificate
- ✓ Safety
- ✓ Fastening screws



### Technical specifications



EAN code  
**8020584012789**

Axle  
**Front and rear**

Diameter  $\varnothing$   
**258 mm**

Thickness (TH)  
**9 mm**

Height (A)  
**54 mm**

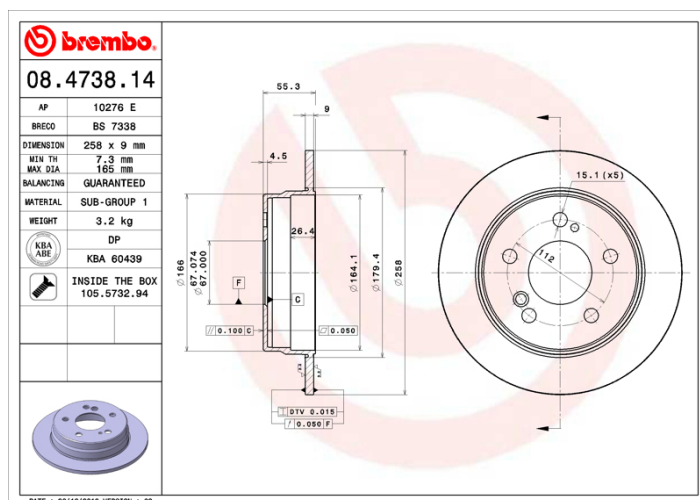
Number of holes (C)  
**5**

Brake disc type  
**Solid**

Centering (B)  
**67 mm**

Min. thickness  
**7,3 mm**

Tightening torque  
**120 Nm**



COMPATIBLE VEHICLES

## COMPATIBLE OE PART NUMBERS

2014230912	MERCEDES-BENZ
------------	---------------

---

2014231112	MERCEDES-BENZ
------------	---------------

---

2014231212	MERCEDES-BENZ
------------	---------------

---

A2014230912	MERCEDES-BENZ
-------------	---------------

---

A2014231112	MERCEDES-BENZ
-------------	---------------

---

A2014231212	MERCEDES-BENZ
-------------	---------------

---