



# BRAKE DISC XTRA

## 08.7211.2X

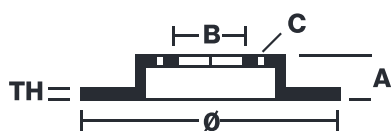
The 08.7211.2X Xtra brake disc is synonymous with reliability

The Brembo Xtra brake disc features holes on the braking surface. The holes are designed to improve the cooling of the braking system, to generate greater fading resistance and grip in the initial stages of braking. The sports look is also enhanced by the presence of the UV paint.

- ✓ Brembo quality
- ✓ ECE-R90 certificate
- ✓ Performance
- ✓ Sports driving
- ✓ Sporty look
- ✓ High carbon
- ✓ Anti-corrosion
- ✓ Fastening screws



### Technical specifications



EAN code  
8020584215258

Axle  
Rear

Diameter Ø  
290 mm

Thickness (TH)  
10 mm

Height (A)  
55 mm

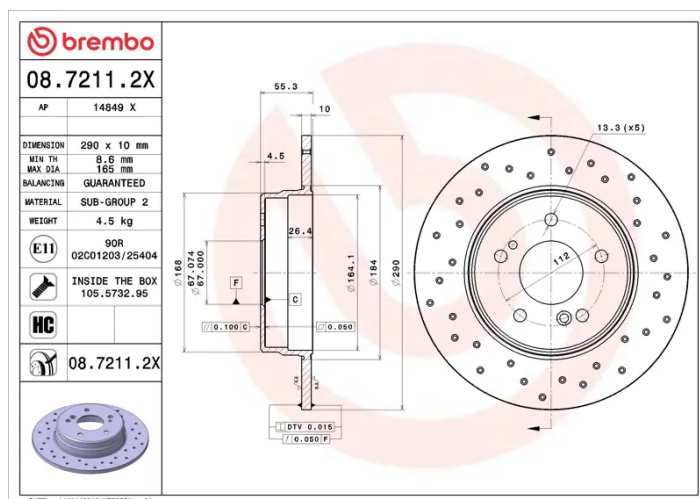
Number of holes (C)  
5

Brake disc type  
Solid

Centering (B)  
67 mm

Min. thickness  
8,6 mm

Tightening torque  
110 Nm



## COMPATIBLE OE PART NUMBERS

1244231112	MERCEDES-BENZ
------------	---------------

2034230412	MERCEDES-BENZ
------------	---------------

2104230312	MERCEDES-BENZ
------------	---------------

2104230612	MERCEDES-BENZ
------------	---------------

2104231012	MERCEDES-BENZ
------------	---------------

A1244231112	MERCEDES-BENZ
-------------	---------------

A2104230312	MERCEDES-BENZ
-------------	---------------

A2104230612	MERCEDES-BENZ
-------------	---------------

A2104231012	MERCEDES-BENZ
-------------	---------------