



BRAKE DISC

09.4869.34

The **09.4869.34** brake disc is synonymous with reliability

The Brembo brake disc is fully interchangeable with an Original Equipment brake disc. The control of the entire production cycle allows Brembo to offer brake discs with outstanding performance levels, reliability, durability and comfort in all conditions of use. All Brembo brake discs are accompanied by the ECE-R90 homologation.

- ✓ OE-equivalent
- ✓ Brembo quality
- ✓ ECE-R90 certificate
- ✓ Safety
- ✓ Fastening screws



Technical specifications



EAN code
8020584013076

Axle
Front

Diameter \varnothing
284 mm

Thickness (TH)
22 mm

Height (A)
44 mm

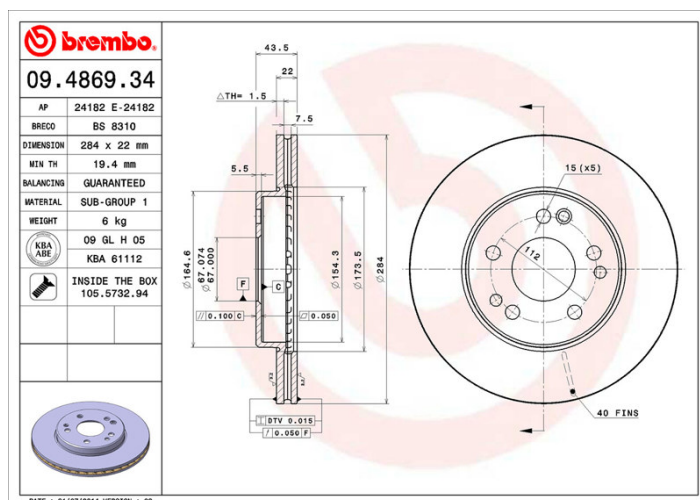
Number of holes (C)
5

Brake disc type
Ventilated

Centering (B)
67 mm

Min. thickness
19,4 mm

Tightening torque
120 Nm



COMPATIBLE VEHICLES

COMPATIBLE OE PART NUMBERS

1244211612	MERCEDES-BENZ
------------	---------------

1244212712	MERCEDES-BENZ
------------	---------------

1294210312	MERCEDES-BENZ
------------	---------------

A1244211612	MERCEDES-BENZ
-------------	---------------

A1244212712	MERCEDES-BENZ
-------------	---------------

A1294210312	MERCEDES-BENZ
-------------	---------------
