



BRAKE DISC XTRA

09.A738.1X

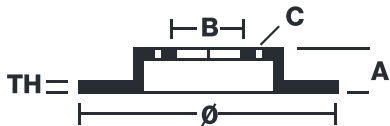
The 09.A738.1X Xtra brake disc is synonymous with reliability

The Brembo Xtra brake disc features holes on the braking surface. The holes are designed to improve the cooling of the braking system, to generate greater fading resistance and grip in the initial stages of braking. The sports look is also enhanced by the presence of the UV paint.

- ✓ Brembo quality
- ✓ ECE-R90 certificate
- ✓ Performance
- ✓ Sports driving
- ✓ Sporty look
- ✓ Anti-corrosion



Technical specifications



EAN code
8020584319710

Axle
Front

Diameter \varnothing
294 mm

Thickness (TH)
24 mm

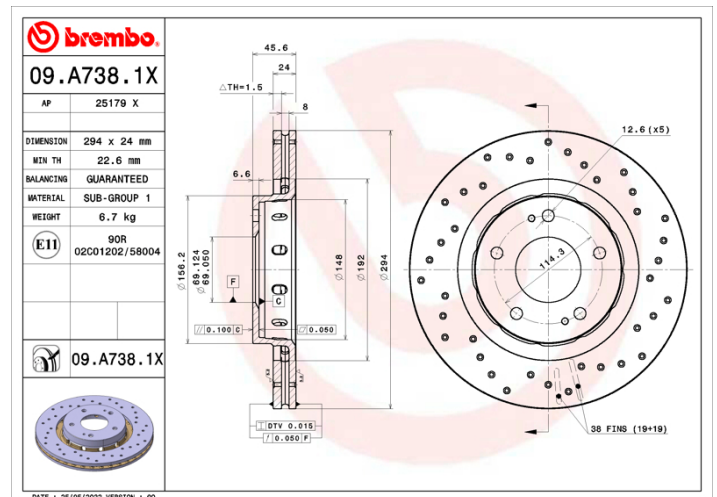
Height (A)
45,6 mm

Number of holes (C)
5

Brake disc type
Ventilated

Centering (B)
69 mm

Min. thickness
22,6 mm



COMPATIBLE VEHICLES

COMPATIBLE OE PART NUMBERS

1606375780	CITROËN
------------	---------

1611429880	CITROËN
------------	---------

424959	CITROËN
--------	---------

4249F3	CITROËN
--------	---------

4615A006	MITSUBISHI
----------	------------

4615A113	MITSUBISHI
----------	------------

4615A179	MITSUBISHI
----------	------------

46515A189	MITSUBISHI
-----------	------------

MR128659	MITSUBISHI
----------	------------

MR205215	MITSUBISHI
----------	------------

MR307376	MITSUBISHI
----------	------------

1606375780	PEUGEOT
------------	---------

1611429880	PEUGEOT
------------	---------

424958	PEUGEOT
--------	---------

4249F3	PEUGEOT
--------	---------