



BRAKE DISC XTRA

09.D245.1X

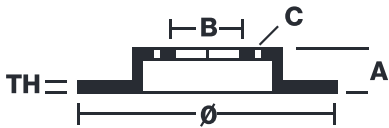
The 09.D245.1X Xtra brake disc is synonymous with reliability

The Brembo Xtra brake disc features holes on the braking surface. The holes are designed to improve the cooling of the braking system, to generate greater fading resistance and grip in the initial stages of braking. The sports look is also enhanced by the presence of the UV paint.

- ✓ Brembo quality
- ✓ ECE-R90 certificate
- ✓ Performance
- ✓ Sports driving
- ✓ Sporty look
- ✓ Anti-corrosion



Technical specifications



EAN code
8020584322949

Diameter Ø
315 mm

Thickness (TH)
30 mm

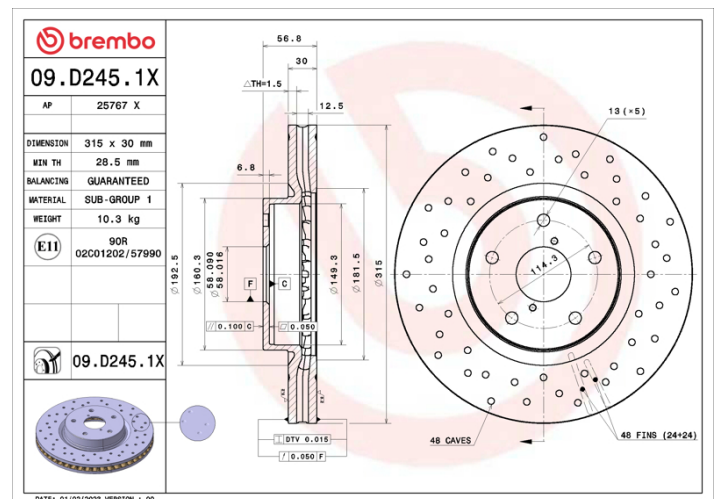
Height (A)
56,8 mm

Number of holes (C)
5

Brake disc type
Ventilated

Centering (B)
58 mm

Min. thickness
28,5 mm



COMPATIBLE OE PART NUMBERS

26300AL010	SUBARU
26300AL04A	SUBARU