



BRAKE DISC PAINTED

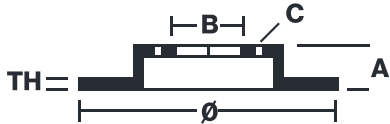
09.D708.11

The 09.D708.11 painted brake disc is synonymous with reliability

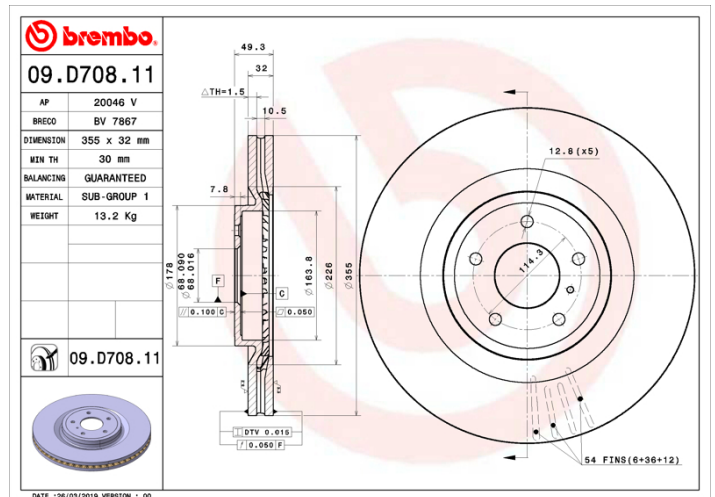
The Brembo brake disc with special UV paint treatment guarantees superior corrosion resistance for the product, thanks to the protective coating on the outer edges and on the disc hub. The UV paint not only gives the disc a clean, shiny appearance but is also beneficial for the environment as the water-based UV paint treatment does not require the use of chemical solvents and is a low energy consumption process.

- ✓ OE-equivalent
- ✓ Brembo quality
- ✓ ECE-R90 certificate
- ✓ Safety
- ✓ Anti-corrosion

Technical specifications



EAN code	Axle	Diameter Ø
8020584236420	Front	355 mm
Thickness (TH)	Height (A)	Number of holes (C)
32 mm	49 mm	5
Brake disc type	Centering (B)	Min. thickness
Ventilated	68 mm	30 mm



COMPATIBLE VEHICLES

COMPATIBLE OE PART NUMBERS

40206JL00A	INFINITI
------------	----------

40206JL00B	INFINITI
------------	----------

40206JL00A	NISSAN
------------	--------
