



BRAKE PAD PRIME CERAMIC P06110N

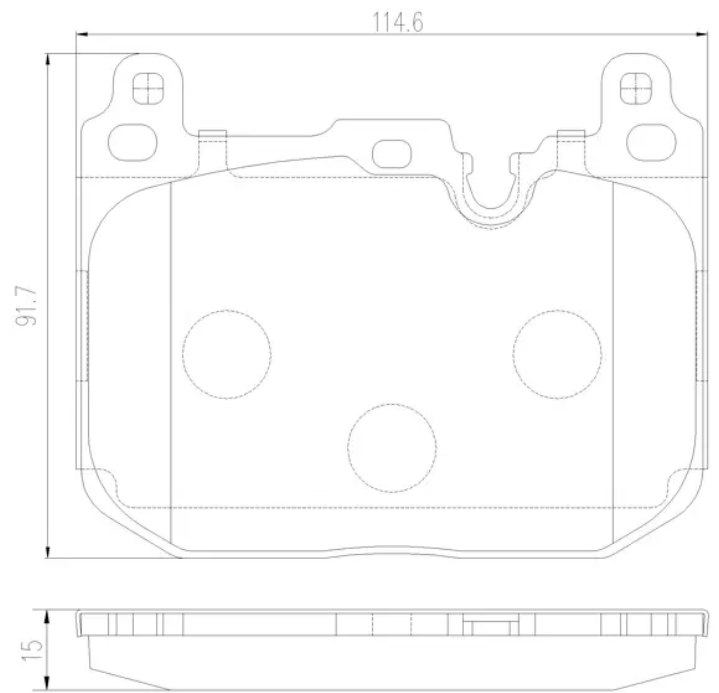
**The P06110N NAO brake pad is
synonymous with reliability**

Brembo NAO brake pads stand out for their ultimate braking comfort, reduced friction wear and low dust mission, which makes for cleaner rims and reduced maintenance requirements. The advanced friction material in keeping with the strictest environmental standards is the main distinguishing feature of NAO compounds.

- ✓ OE-equivalent
- ✓ Brembo quality
- ✓ Safety
- ✓ Comfort
- ✓ Durability
- ✓ Dust reduction
- ✓ With accessories

Technical specifications

EAN code 8020584117743	Axle Front	Thickness 15 mm
Width 115 mm	Height 91 mm	Braking system Brembo
Wear indicator Prepared for wear indicator	WVA number 25028	Accessories With anti-squeal shim



4 PCS/SET

COMPATIBLE VEHICLES

COMPATIBLE OE PART NUMBERS

34106889266	BMW
34106889266	MINI