



BRAKE PAD PRIME CERAMIC P09025N

The P09025N NAO brake pad is synonymous with reliability

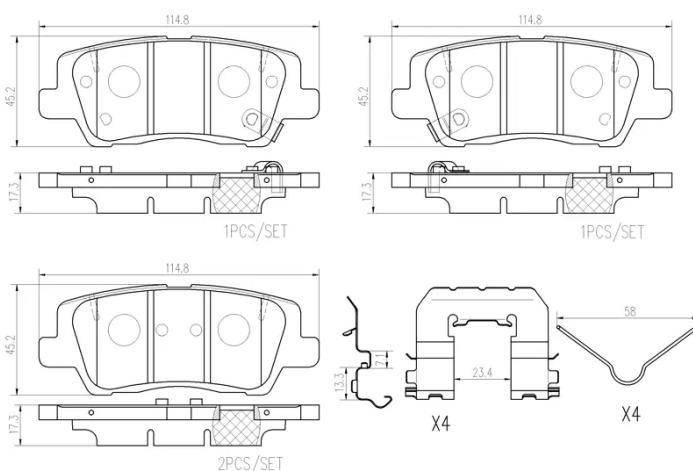
Brembo NAO brake pads stand out for their ultimate braking comfort, reduced friction wear and low dust mission, which makes for cleaner rims and reduced maintenance requirements. The advanced friction material in keeping with the strictest environmental standards is the main distinguishing feature of NAO compounds.

- ✓ OE-equivalent
- ✓ Brembo quality
- ✓ Safety
- ✓ Comfort
- ✓ Durability
- ✓ Dust reduction
- ✓ With accessories



Technical specifications

EAN code 8020584113219	Axle Rear	Thickness 17 mm
Width 115 mm	Height 45 mm	
Wear indicator Acoustic	WVA number 25848,25846,25847	Accessories With anti-squeal shim



COMPATIBLE VEHICLES

COMPATIBLE OE PART NUMBERS

85138426	BUICK (SGM)
----------	-------------

22857904	CADILLAC
----------	----------

22857909	CADILLAC
----------	----------

23275448	CADILLAC
----------	----------

84252537	CADILLAC
----------	----------

23358697	CADILLAC (SGM)
----------	----------------

85138426	CADILLAC (SGM)
----------	----------------

23316762	CHEVROLET
----------	-----------

85138426	CHEVROLET (SGM)
----------	-----------------