



BRAKE PAD NAO P30063N

The P30063N NAO brake pad is synonymous with reliability

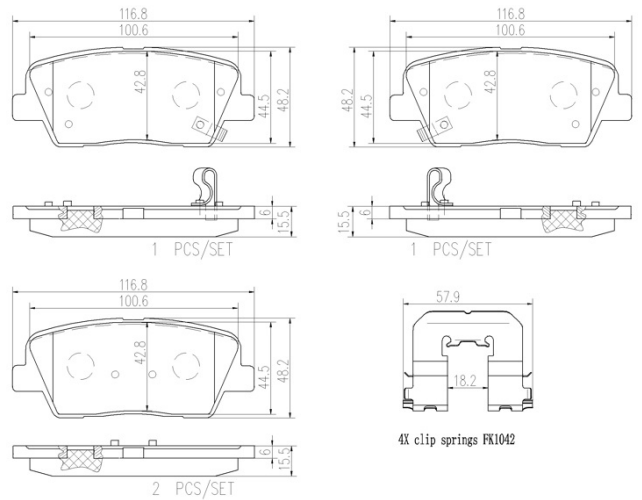
Brembo NAO brake pads stand out for their ultimate braking comfort, reduced friction wear and low dust mission, which makes for cleaner rims and reduced maintenance requirements. The advanced friction material in keeping with the strictest environmental standards is the main distinguishing feature of NAO compounds.

- ✓ OE-equivalent
- ✓ Brembo quality
- ✓ Safety
- ✓ Comfort
- ✓ Durability
- ✓ Dust reduction
- ✓ With accessories



Technical specifications

| | | |
|-----------------------------------|--|--|
| EAN code 8020584081471 | Axle Rear | Thickness 15 mm |
| Width 117 mm | Height 48 mm | Braking system Mando |
| Wear indicator Acoustic | WVA number 25520,25521,25522 | Accessories With accessories With anti-squeal shim |



COMPATIBLE VEHICLES

COMPATIBLE OE PART NUMBERS

| | |
|------------|-------------------|
| 583020WA00 | HYUNDAI |
| 583022BA50 | HYUNDAI |
| 583022MA00 | HYUNDAI |
| 583022PA70 | HYUNDAI |
| 583022WA00 | HYUNDAI |
| 583022WA01 | HYUNDAI |
| 583022WA30 | HYUNDAI |
| 583022WA70 | HYUNDAI |
| 583023MA00 | HYUNDAI |
| 583023MA01 | HYUNDAI |
| 583023NA00 | HYUNDAI |
| 583023NA91 | HYUNDAI |
| 583024DU02 | HYUNDAI |
| 58302A1A00 | HYUNDAI |
| 58302B1A43 | HYUNDAI |
| 583022PA70 | HYUNDAI |
| 58302A1A00 | HYUNDAI (BEIJING) |
| 583020WA00 | KIA |
| 583021UA50 | KIA |
| 583022JA00 | KIA |
| 583022JA10 | KIA |
| 583022PA70 | KIA |
| 583022WA01 | KIA |
| 583023NA00 | KIA |
| 58302J5A05 | KIA |
| 58302C0A00 | KIA (DYK) |
| 48413380B0 | SSANGYONG |