



# BRAKE PAD PRIME CERAMIC P30070N

The P30070N NAO brake pad is synonymous with reliability

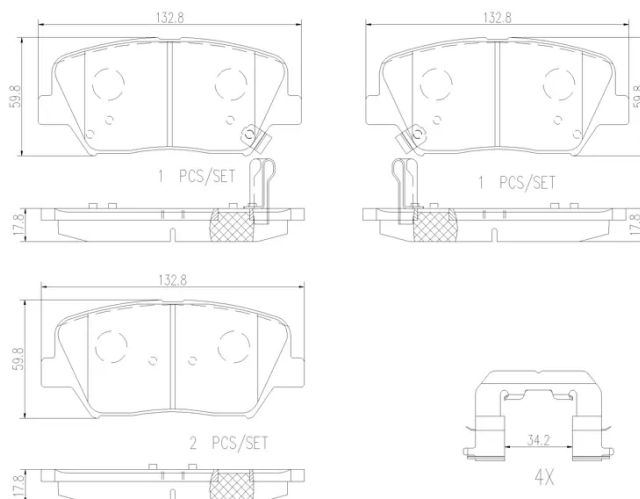
Brembo NAO brake pads stand out for their ultimate braking comfort, reduced friction wear and low dust mission, which makes for cleaner rims and reduced maintenance requirements. The advanced friction material in keeping with the strictest environmental standards is the main distinguishing feature of NAO compounds.

- ✓ OE-equivalent
- ✓ Brembo quality
- ✓ Safety
- ✓ Comfort
- ✓ Durability
- ✓ Dust reduction
- ✓ With accessories



## Technical specifications

EAN code <b>8020584081525</b>	Axle <b>Front</b>	Thickness <b>18 mm</b>
Width <b>133 mm</b>	Height <b>60 mm</b>	Braking system <b>Mando</b>
Wear indicator <b>Acoustic</b>	WVA number <b>25757,25758,25759</b>	Accessories <b>With anti-squeal shim</b>



COMPATIBLE VEHICLES

## COMPATIBLE OE PART NUMBERS

581010WA10	HYUNDAI
581011UA10	HYUNDAI
581011UA11	HYUNDAI
581013VA60	HYUNDAI
581013VA70	HYUNDAI
581013VA90	HYUNDAI
581014ZA70	HYUNDAI
58101A0A00	HYUNDAI
58101A4A01	HYUNDAI
58101A4A15	HYUNDAI
58101B1A00	HYUNDAI
58101C3A20	HYUNDAI
58101F5A00	HYUNDAI
58101M5A00	HYUNDAI
58101M5A10	HYUNDAI
58101C3A10	HYUNDAI (BEIJING)
58101C3A20	HYUNDAI (BEIJING)
58101J1A00	HYUNDAI (BEIJING)
581011UA00	KIA
581011UA50	KIA
581013TA10	KIA
58101A4A01	KIA
58101A4A11	KIA
58101A4A15	KIA
58101A4A17	KIA
58101C6A00	KIA
58101Q6A10	KIA