



BRAKE PAD PRIME CERAMIC P30096N

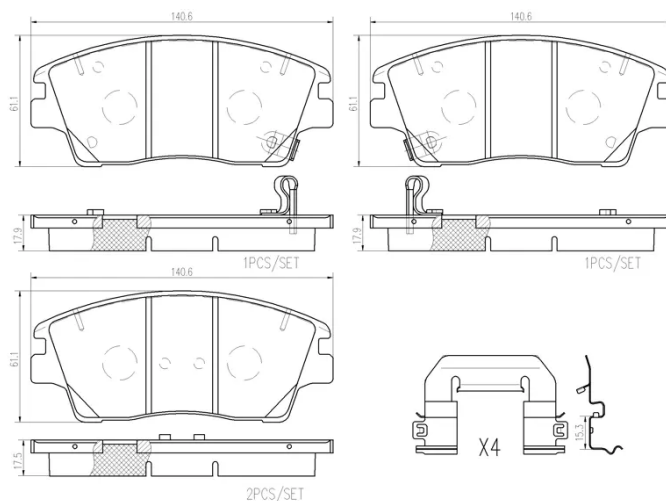
The P30096N NAO brake pad is
synonymous with reliability

Brembo NAO brake pads stand out for their ultimate braking comfort, reduced friction wear and low dust mission, which makes for cleaner rims and reduced maintenance requirements. The advanced friction material in keeping with the strictest environmental standards is the main distinguishing feature of NAO compounds.

- ✓ OE-equivalent
- ✓ Brembo quality
- ✓ Safety
- ✓ Comfort
- ✓ Durability
- ✓ Dust reduction
- ✓ With accessories

Technical specifications

EAN code 8020584115398	Axle Front	Thickness 19 mm
Width 141 mm	Height 61 mm	Braking system Akebono
Wear indicator Acoustic	WVA number 22331,22330,22329	Accessories With anti-squeal shim



COMPATIBLE VEHICLES

COMPATIBLE OE PART NUMBERS

58101D3A00	HYUNDAI
------------	---------

58101D3A10	HYUNDAI
------------	---------

58101D3A11	HYUNDAI
------------	---------

58101D7A10	HYUNDAI
------------	---------

58101D9A00	HYUNDAI
------------	---------

58101F2A50	HYUNDAI
------------	---------

58101D3A10	KIA
------------	-----

58101D3A11	KIA
------------	-----

58101D7A10	KIA
------------	-----

58101D9A00	KIA
------------	-----