



# BRAKE PAD PRIME CERAMIC

## P37008N

The P37008N NAO brake pad is synonymous with reliability

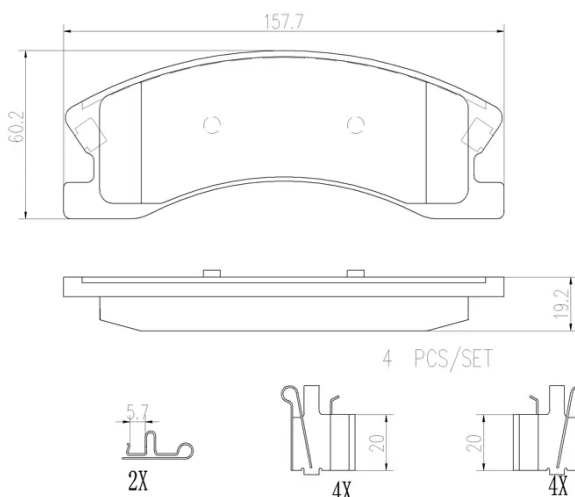
Brembo NAO brake pads stand out for their ultimate braking comfort, reduced friction wear and low dust mission, which makes for cleaner rims and reduced maintenance requirements. The advanced friction material in keeping with the strictest environmental standards is the main distinguishing feature of NAO compounds.

- ✓ OE-equivalent
- ✓ Brembo quality
- ✓ Safety
- ✓ Comfort
- ✓ Durability
- ✓ Dust reduction
- ✓ With accessories



### Technical specifications

EAN code <b>8020584098226</b>	Axle <b>Front</b>	Thickness <b>19 mm</b>
Width <b>158 mm</b>	Height <b>60 mm</b>	Braking system <b>Akebono</b>
Wear indicator <b>Acoustic</b>	WVA number <b>24083</b>	Accessories <b>With accessories</b> <b>With anti-squeal shim</b>



COMPATIBLE VEHICLES

## COMPATIBLE OE PART NUMBERS

05093183AA	CHRYSLER
------------	----------

5093183AA	CHRYSLER
-----------	----------

K05093183AA	CHRYSLER
-------------	----------

05093260AA	JEEP
------------	------

5093183AB	JEEP
-----------	------

5093260AA	JEEP
-----------	------

5093260AB	JEEP
-----------	------

5093260AC	JEEP
-----------	------

5093260AD	JEEP
-----------	------

K05093183AB	JEEP
-------------	------

K05093260AA	JEEP
-------------	------

K5093183AB	JEEP
------------	------

K5093260AA	JEEP
------------	------

K5093260AB	JEEP
------------	------

K5093260AC	JEEP
------------	------

K5093260AD	JEEP
------------	------