

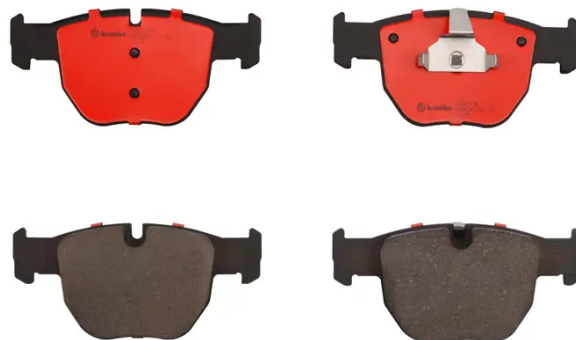


BRAKE PAD PRIME CERAMIC P44012N

The P44012N NAO brake pad is
synonymous with reliability

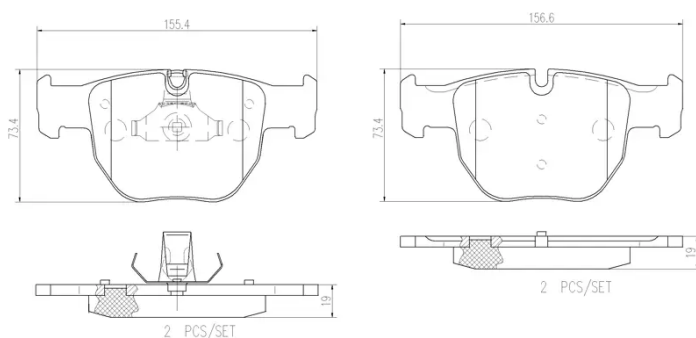
Brembo NAO brake pads stand out for their ultimate braking comfort, reduced friction wear and low dust mission, which makes for cleaner rims and reduced maintenance requirements. The advanced friction material in keeping with the strictest environmental standards is the main distinguishing feature of NAO compounds.

- ✓ OE-equivalent
- ✓ Brembo quality
- ✓ Safety
- ✓ Comfort
- ✓ Durability
- ✓ Dust reduction
- ✓ With accessories



Technical specifications

| | | |
|--|----------------------------------|---|
| EAN code 8020584083178 | Axle Front | Thickness 19 mm |
| Width 155 mm | Height 74 mm | Braking system Teves |
| Wear indicator Prepared for wear indicator | WVA number 23399,23397 | Accessories With anti-squeal shim With piston clip With accessories |



COMPATIBLE VEHICLES

COMPATIBLE OE PART NUMBERS

| | |
|-----------|------------|
| SFC000010 | LAND ROVER |
| SFC500010 | LAND ROVER |
| SFC500050 | LAND ROVER |
| SFC500070 | LAND ROVER |
| SFC500080 | LAND ROVER |
| SFC500090 | LAND ROVER |