



BRAKE PAD PRIME CERAMIC P44014N

The P44014N NAO brake pad is synonymous with reliability

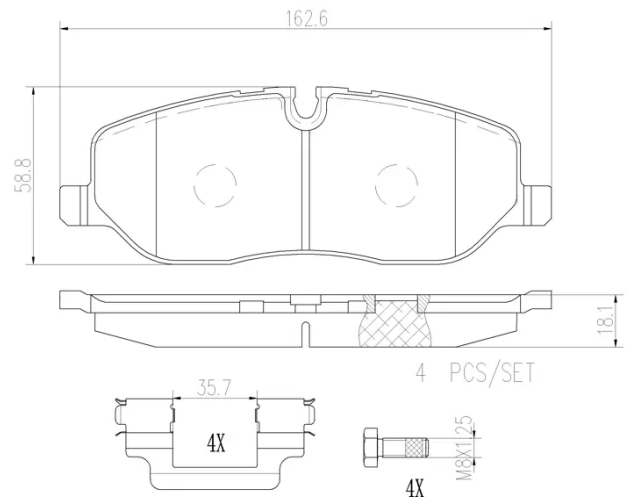
Brembo NAO brake pads stand out for their ultimate braking comfort, reduced friction wear and low dust mission, which makes for cleaner rims and reduced maintenance requirements. The advanced friction material in keeping with the strictest environmental standards is the main distinguishing feature of NAO compounds.

- ✓ OE-equivalent
- ✓ Brembo quality
- ✓ Safety
- ✓ Comfort
- ✓ Durability
- ✓ Dust reduction
- ✓ With accessories



Technical specifications

EAN code 8020584098288	Axle Front	Thickness 18 mm
Width 163 mm	Height 59 mm	Braking system Lucas
Wear indicator Prepared for wear indicator	WVA number 24191	Accessories With accessories With anti-squeal shim With brake caliper bolts



COMPATIBLE VEHICLES

COMPATIBLE OE PART NUMBERS

LR019618 LAND ROVER

LR134694 LAND ROVER

SFP5000010 LAND ROVER

SFP500010 LAND ROVER
