



# BRAKE PAD PRIME CERAMIC P47001N

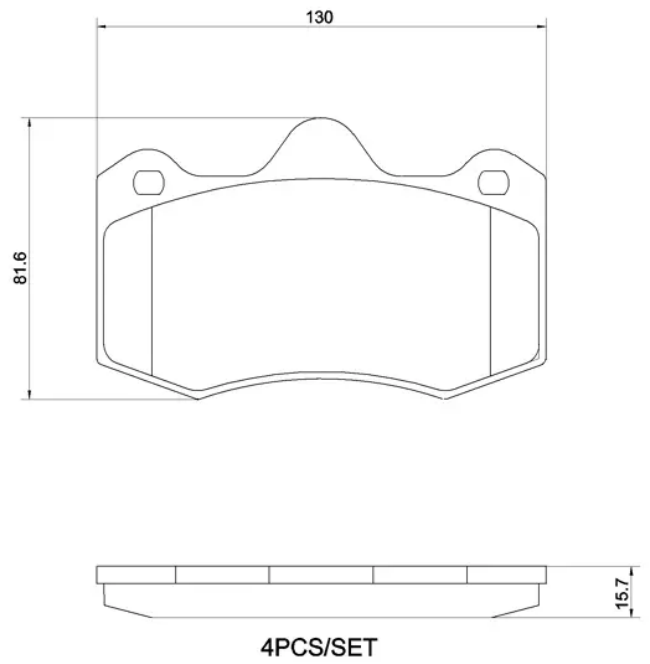
**The P47001N NAO brake pad is  
synonymous with reliability**

Brembo NAO brake pads stand out for their ultimate braking comfort, reduced friction wear and low dust emission, which makes for cleaner rims and reduced maintenance requirements. The advanced friction material in keeping with the strictest environmental standards is the main distinguishing feature of NAO compounds.

- ✓ OE-equivalent
- ✓ Brembo quality
- ✓ Safety
- ✓ Comfort
- ✓ Durability
- ✓ Dust reduction
- ✓ With accessories

## Technical specifications

EAN code	Axle	Thickness
<b>8020584125472</b>	<b>Front</b>	<b>16 mm</b>
Width	Height	Braking system
<b>130 mm</b>	<b>82 mm</b>	<b>Lockheed</b>
Wear indicator	WVA number	Accessories
<b>Without</b>	<b>20345</b>	<b>With anti-squeal shim</b>



## COMPATIBLE OE PART NUMBERS

A132J0001S

LOTUS