



# BRAKE PAD NAO P50008N

**The P50008N NAO brake pad is synonymous with reliability**

Brembo NAO brake pads stand out for their ultimate braking comfort, reduced friction wear and low dust mission, which makes for cleaner rims and reduced maintenance requirements. The advanced friction material in keeping with the strictest environmental standards is the main distinguishing feature of NAO compounds.

- ✓ OE-equivalent
- ✓ Brembo quality
- ✓ Safety
- ✓ Comfort
- ✓ Durability
- ✓ Dust reduction
- ✓ With accessories



## Technical specifications

EAN code  
**8020584080580**

Axle  
**Front**

Thickness  
**18 mm**

Width  
**110 mm**

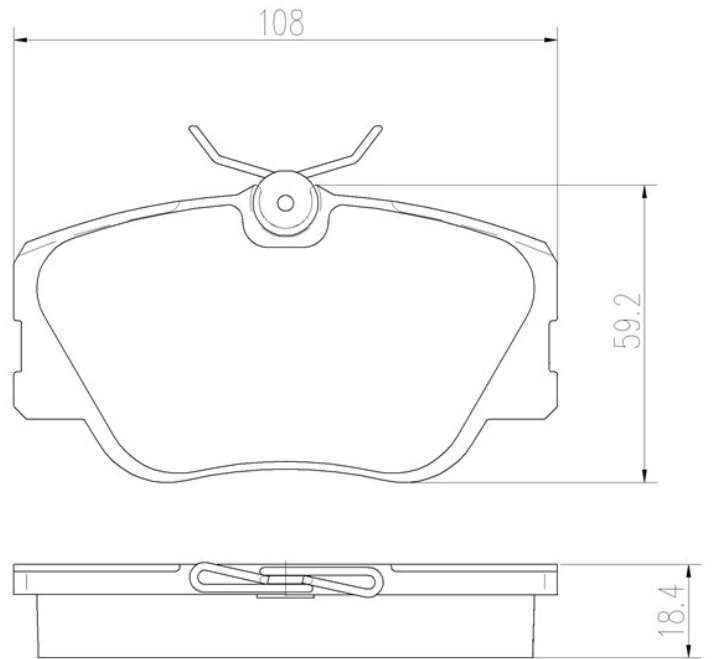
Height  
**59 mm**

Braking system  
**Lucas**

Wear indicator  
**Without**

WVA number  
**21028,20941**

Accessories  
**With anti-squeal shim  
With brake caliper bolts**



4 PCS/SET

## COMPATIBLE VEHICLES

## COMPATIBLE OE PART NUMBERS

0004200720	MERCEDES-BENZ
0004209920	MERCEDES-BENZ
00042099200005	MERCEDES-BENZ
0014200720	MERCEDES-BENZ
0014201220	MERCEDES-BENZ
001420122005	MERCEDES-BENZ
0024202320	MERCEDES-BENZ
004200720	MERCEDES-BENZ
004209920	MERCEDES-BENZ
0054204420	MERCEDES-BENZ
A0004200720	MERCEDES-BENZ
A0004209920	MERCEDES-BENZ
A00042099200005	MERCEDES-BENZ
A0014200720	MERCEDES-BENZ
A0014201220	MERCEDES-BENZ
A001420122005	MERCEDES-BENZ
A0024202320	MERCEDES-BENZ
A0054204420	MERCEDES-BENZ