



BRAKE PAD NAO P50022N

The P50022N NAO brake pad is synonymous with reliability

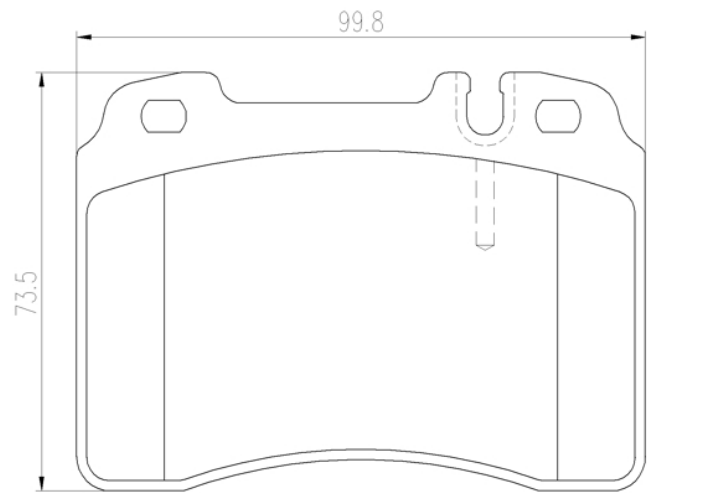
Brembo NAO brake pads stand out for their ultimate braking comfort, reduced friction wear and low dust mission, which makes for cleaner rims and reduced maintenance requirements. The advanced friction material in keeping with the strictest environmental standards is the main distinguishing feature of NAO compounds.

- ✓ OE-equivalent
- ✓ Brembo quality
- ✓ Safety
- ✓ Comfort
- ✓ Durability
- ✓ Dust reduction
- ✓ With accessories



Technical specifications

EAN code 8020584080658	Axle Front	Thickness 16 mm
Width 100 mm	Height 74 mm	Braking system Teves
Wear indicator Prepared for wear indicator	WVA number 21153	Accessories With anti-squeal shim



4 PCS/SET

COMPATIBLE VEHICLES

COMPATIBLE OE PART NUMBERS

0024201920	MERCEDES-BENZ
0024203720	MERCEDES-BENZ
0054200120	MERCEDES-BENZ
005420012041	MERCEDES-BENZ
005420022041	MERCEDES-BENZ
A0024201920	MERCEDES-BENZ
A0024203720	MERCEDES-BENZ
A0054200120	MERCEDES-BENZ