



BRAKE PAD PRIME CERAMIC P50064N

The P50064N NAO brake pad is synonymous with reliability

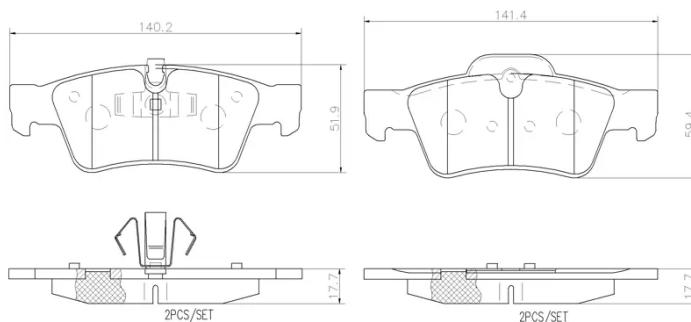
Brembo NAO brake pads stand out for their ultimate braking comfort, reduced friction wear and low dust mission, which makes for cleaner rims and reduced maintenance requirements. The advanced friction material in keeping with the strictest environmental standards is the main distinguishing feature of NAO compounds.

- ✓ OE-equivalent
- ✓ Brembo quality
- ✓ Safety
- ✓ Comfort
- ✓ Durability
- ✓ Dust reduction
- ✓ With accessories



Technical specifications

EAN code 8020584080375	Axle Rear	Thickness 18 mm
Width 140 mm	Height 52 mm	Braking system Teves
Wear indicator Prepared for wear indicator	WVA number 26924,23923	Accessories With piston clip With accessories With anti-squeal shim



COMPATIBLE VEHICLES

COMPATIBLE OE PART NUMBERS

0044205220 MERCEDES-BENZ

0084205320 MERCEDES-BENZ

1644201520 MERCEDES-BENZ

1644201920 MERCEDES-BENZ

1644202720 MERCEDES-BENZ

16442027200090 MERCEDES-BENZ

9104207400 MERCEDES-BENZ

A0044205220 MERCEDES-BENZ

A0084205320 MERCEDES-BENZ

A1644201520 MERCEDES-BENZ

A1644201920 MERCEDES-BENZ

A1644202720 MERCEDES-BENZ

A16442027200090 MERCEDES-BENZ

A9104207400 MERCEDES-BENZ
