



BRAKE PAD PRIME CERAMIC P50120N

The P50120N NAO brake pad is synonymous with reliability

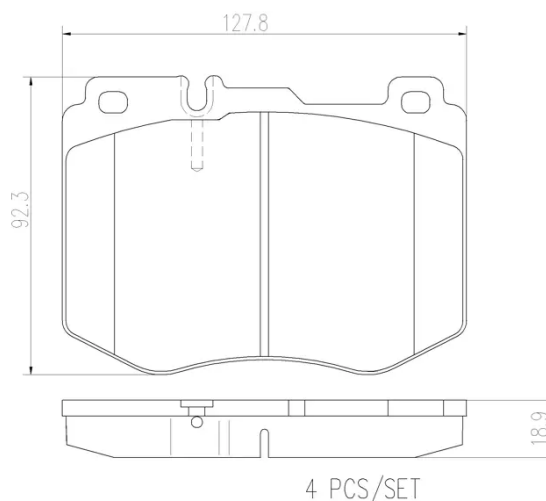
Brembo NAO brake pads stand out for their ultimate braking comfort, reduced friction wear and low dust mission, which makes for cleaner rims and reduced maintenance requirements. The advanced friction material in keeping with the strictest environmental standards is the main distinguishing feature of NAO compounds.

- ✓ OE-equivalent
- ✓ Brembo quality
- ✓ Safety
- ✓ Comfort
- ✓ Durability
- ✓ Dust reduction
- ✓ With accessories



Technical specifications

EAN code 8020584089057	Axle Front	Thickness 19 mm
Width 128 mm	Height 92 mm	Braking system Brembo
Wear indicator Prepared for wear indicator	WVA number 22061	Accessories With anti-squeal shim



COMPATIBLE VEHICLES

COMPATIBLE OE PART NUMBERS

0004206700	MERCEDES-BENZ
------------	---------------

0004208000	MERCEDES-BENZ
------------	---------------

0004208203	MERCEDES-BENZ
------------	---------------

0004208600	MERCEDES-BENZ
------------	---------------

0004208803	MERCEDES-BENZ
------------	---------------

0084201820	MERCEDES-BENZ
------------	---------------

008420182064	MERCEDES-BENZ
--------------	---------------

0084201920	MERCEDES-BENZ
------------	---------------

A0004206700	MERCEDES-BENZ
-------------	---------------

A0004208203	MERCEDES-BENZ
-------------	---------------

A0004209603	MERCEDES-BENZ
-------------	---------------

A008420182064	MERCEDES-BENZ
---------------	---------------

A0084201920	MERCEDES-BENZ
-------------	---------------