



# BRAKE PAD PRIME CERAMIC P50162N

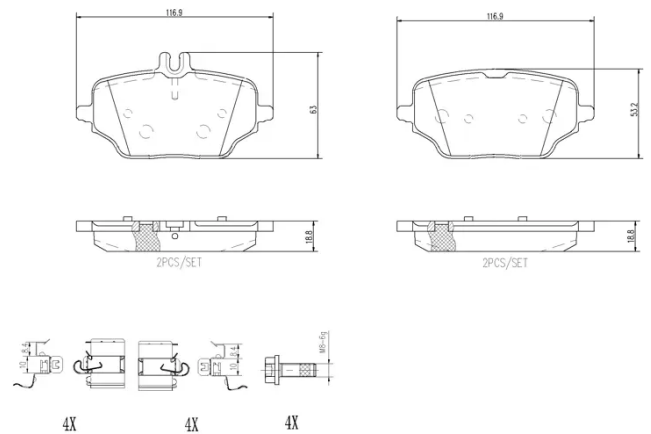
The P50162N NAO brake pad is synonymous with reliability

Brembo NAO brake pads stand out for their ultimate braking comfort, reduced friction wear and low dust mission, which makes for cleaner rims and reduced maintenance requirements. The advanced friction material in keeping with the strictest environmental standards is the main distinguishing feature of NAO compounds.

- ✓ OE-equivalent
- ✓ Brembo quality
- ✓ Safety
- ✓ Comfort
- ✓ Durability
- ✓ Dust reduction
- ✓ With accessories

## Technical specifications

EAN code <b>8020584119563</b>	Axle <b>Rear</b>	Thickness <b>19 mm</b>
Width <b>117 mm</b>	Height <b>53 mm</b>	Braking system <b>TRW</b>
Wear indicator <b>Prepared for wear indicator</b>	WVA number <b>26215,26216</b>	Accessories <b>With anti-squeal shim</b>



## COMPATIBLE OE PART NUMBERS

0004203902	MERCEDES-BENZ
------------	---------------

---

0004204202	MERCEDES-BENZ
------------	---------------

---

A0004203902	MERCEDES-BENZ
-------------	---------------

---

A0004204202	MERCEDES-BENZ
-------------	---------------

---

A0004207103	MERCEDES-BENZ
-------------	---------------

---