



BRAKE PAD PRIME CERAMIC P56060N

The P56060N NAO brake pad is synonymous with reliability

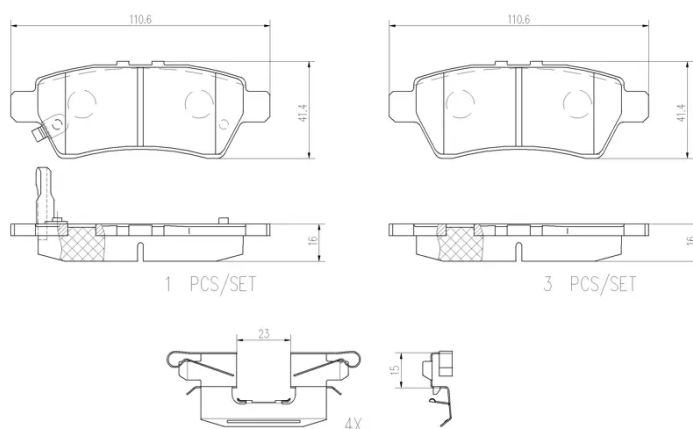
Brembo NAO brake pads stand out for their ultimate braking comfort, reduced friction wear and low dust mission, which makes for cleaner rims and reduced maintenance requirements. The advanced friction material in keeping with the strictest environmental standards is the main distinguishing feature of NAO compounds.

- ✓ OE-equivalent
- ✓ Brembo quality
- ✓ Safety
- ✓ Comfort
- ✓ Durability
- ✓ Dust reduction
- ✓ With accessories



Technical specifications

EAN code 8020584098936	Axle Rear	Thickness 16 mm
Width 111 mm	Height 41 mm	Braking system Tokico
Wear indicator Acoustic	WVA number 24240,24242,24243	Accessories With anti-squeal shim



COMPATIBLE VEHICLES

COMPATIBLE OE PART NUMBERS

44060EA000 NISSAN

44060EA090 NISSAN

44060EA091 NISSAN

44060EB325 NISSAN

D4060EB300 NISSAN
