



# BRAKE PAD NAO

## P59057N

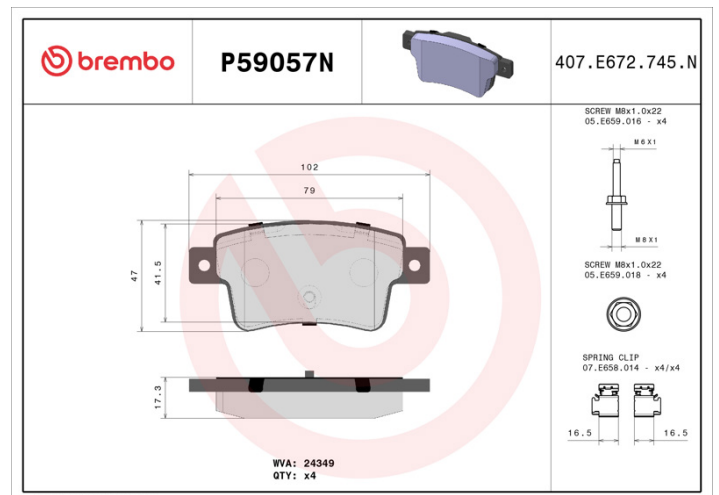
The P59057N NAO brake pad is synonymous with reliability

Brembo NAO brake pads stand out for their ultimate braking comfort, reduced friction wear and low dust mission, which makes for cleaner rims and reduced maintenance requirements. The advanced friction material in keeping with the strictest environmental standards is the main distinguishing feature of NAO compounds.

- ✓ OE-equivalent
- ✓ Brembo quality
- ✓ Safety
- ✓ Comfort
- ✓ Durability
- ✓ Dust reduction
- ✓ With accessories

### Technical specifications

EAN code <b>8020584114001</b>	Axle <b>Rear</b>	Thickness <b>18 mm</b>
Width <b>102 mm</b>	Height <b>47 mm</b>	Braking system <b>Bosch</b>
Wear indicator <b>Without</b>	WVA number <b>24349</b>	Accessories <b>With accessories</b> <b>With anti-squeal shim</b> <b>With brake caliper bolts</b>



## COMPATIBLE OE PART NUMBERS

1605230	FIAT
---------	------

---

93169177	FIAT
----------	------

---

1605230	OPEL
---------	------

---

1605356	OPEL
---------	------

---

93169177	OPEL
----------	------

---

93189823	OPEL
----------	------

---