



BRAKE PAD NAO P59079N

The P59079N NAO brake pad is synonymous with reliability

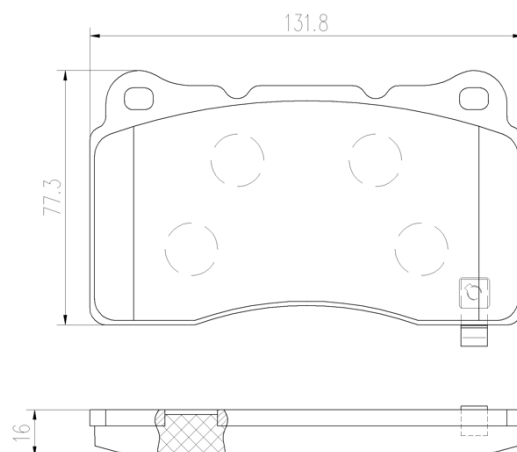
Brembo NAO brake pads stand out for their ultimate braking comfort, reduced friction wear and low dust mission, which makes for cleaner rims and reduced maintenance requirements. The advanced friction material in keeping with the strictest environmental standards is the main distinguishing feature of NAO compounds.

- ✓ OE-equivalent
- ✓ Brembo quality
- ✓ Safety
- ✓ Comfort
- ✓ Durability
- ✓ Dust reduction
- ✓ With accessories



Technical specifications

EAN code 8020584085769	Axle Front and rear	Thickness 16 mm
Width 132 mm	Height 77 mm	Braking system Brembo
Wear indicator Acoustic	WVA number 23325	Accessories With anti-squeal shim



4 PCS/SET

COMPATIBLE VEHICLES

COMPATIBLE OE PART NUMBERS

84233021 BUICK (SGM)

93737098 BUICK (SGM)

22791925 CADILLAC

22866931 CADILLAC

23145627 CADILLAC

23271117 CADILLAC

84051821 CADILLAC (SGM)

84060417 CADILLAC (SGM)

84308335 CADILLAC (SGM)

4G7Z2001AA FORD

581012MA10 HYUNDAI

581012MA10 MITSUBISHI

13329562 OPEL

13411116 OPEL

1605100 OPEL

1605175 OPEL

105506600C TESLA

105506600D TESLA

106833000A TESLA

106833000B TESLA

106833000C TESLA

6002453 TESLA
