



BRAKE PAD PRIME CERAMIC P59080N

The P59080N NAO brake pad is synonymous with reliability

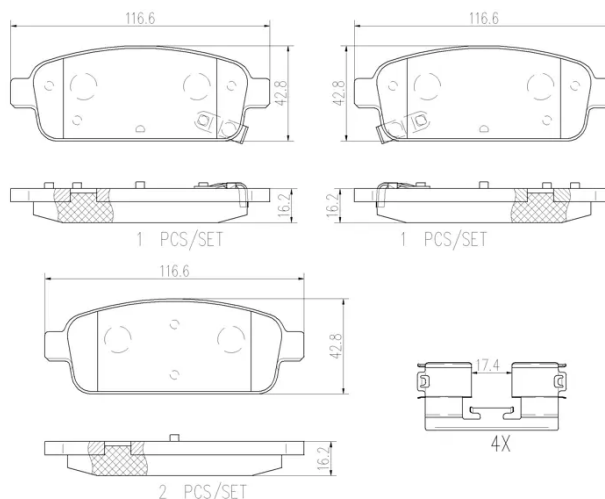
Brembo NAO brake pads stand out for their ultimate braking comfort, reduced friction wear and low dust mission, which makes for cleaner rims and reduced maintenance requirements. The advanced friction material in keeping with the strictest environmental standards is the main distinguishing feature of NAO compounds.

- ✓ OE-equivalent
- ✓ Brembo quality
- ✓ Safety
- ✓ Comfort
- ✓ Durability
- ✓ Dust reduction
- ✓ With accessories



Technical specifications

| | | |
|-----------------------------------|--|---|
| EAN code 8020584081426 | Axle Rear | Thickness 16 mm |
| Width 117 mm | Height 43 mm | Braking system TRW |
| Wear indicator Acoustic | WVA number 25096,25097,25098 | Accessories With anti-squeal shim |



COMPATIBLE VEHICLES

COMPATIBLE OE PART NUMBERS

| | |
|-----------|----------------|
| 13408579 | BUICK |
| 42518441 | BUICK |
| 133192294 | CHEVROLET |
| 13404405 | CHEVROLET |
| 13411380 | CHEVROLET |
| 13411383 | CHEVROLET |
| 42793718 | CHEVROLET |
| 13300868 | GENERAL MOTORS |
| 0542039 | OPEL |
| 0542040 | OPEL |
| 13300867 | OPEL |
| 13319293 | OPEL |
| 13319294 | OPEL |
| 13411380 | OPEL |
| 13411383 | OPEL |
| 13473427 | OPEL |
| 13473428 | OPEL |
| 1605140 | OPEL |
| 1605168 | OPEL |
| 1605176 | OPEL |
| 1605180 | OPEL |
| 1605262 | OPEL |
| 1605294 | OPEL |
| 1605296 | OPEL |
| 542039 | OPEL |
| 542040 | OPEL |
| 95516192 | OPEL |
| 95530021 | OPEL |
| 95530022 | OPEL |
| 13300867 | VAUXHALL |
| 13319293 | VAUXHALL |
| 13411380 | VAUXHALL |
| 1605140 | VAUXHALL |
| 1605168 | VAUXHALL |
| 1605176 | VAUXHALL |
| 95530021 | VAUXHALL |
| 95530022 | VAUXHALL |