



BRAKE PAD PRIME CERAMIC P59092N

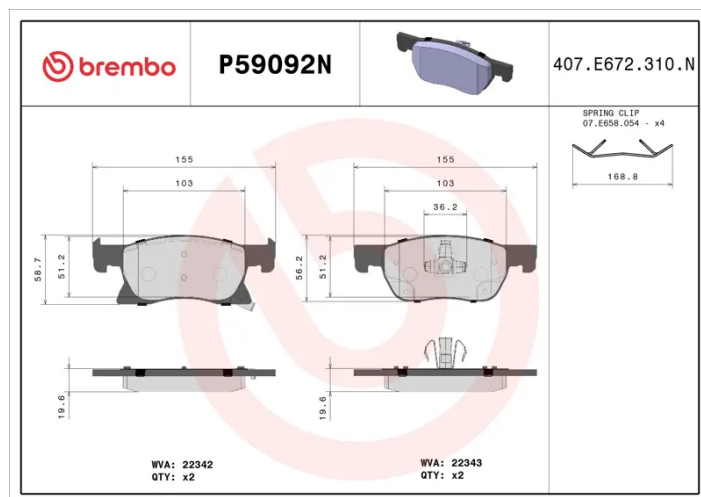
The P59092N NAO brake pad is
synonymous with reliability

Brembo NAO brake pads stand out for their ultimate braking comfort, reduced friction wear and low dust mission, which makes for cleaner rims and reduced maintenance requirements. The advanced friction material in keeping with the strictest environmental standards is the main distinguishing feature of NAO compounds.

- ✓ OE-equivalent
- ✓ Brembo quality
- ✓ Safety
- ✓ Comfort
- ✓ Durability
- ✓ Dust reduction
- ✓ With accessories

Technical specifications

EAN code 8020584113325	Axle Front	Thickness 20 mm
Width 155 mm	Height 56 mm	Braking system Teves
Wear indicator Acoustic	WVA number 22342,22343	Accessories With accessories With anti-squeal shim With piston clip



COMPATIBLE VEHICLES

COMPATIBLE OE PART NUMBERS

13478300	OPEL
----------	------

39103797	OPEL
----------	------

95526566	OPEL
----------	------

39103797	VAUXHALL
----------	----------
