



BRAKE PAD PRIME CERAMIC P78016N

The P78016N NAO brake pad is synonymous with reliability

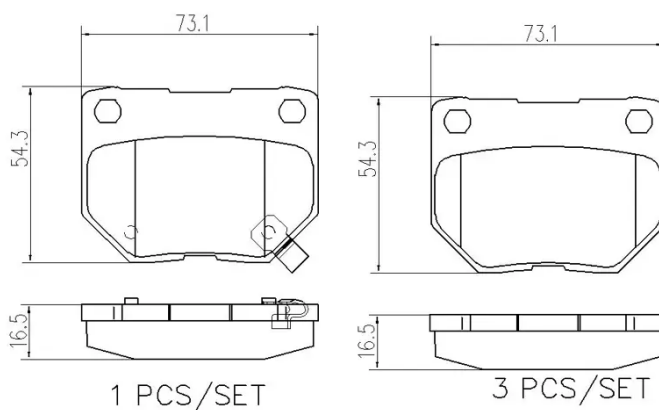
Brembo NAO brake pads stand out for their ultimate braking comfort, reduced friction wear and low dust mission, which makes for cleaner rims and reduced maintenance requirements. The advanced friction material in keeping with the strictest environmental standards is the main distinguishing feature of NAO compounds.

- ✓ OE-equivalent
- ✓ Brembo quality
- ✓ Safety
- ✓ Comfort
- ✓ Durability
- ✓ Dust reduction
- ✓ With accessories



Technical specifications

EAN code 8020584083253	Axle Rear	Thickness 17 mm
Width 73 mm	Height 54 mm	Braking system Akebono
Wear indicator Acoustic	WVA number 23381,23382	Accessories With anti-squeal shim



COMPATIBLE VEHICLES

COMPATIBLE OE PART NUMBERS

MDX2750AA	JAGUAR
-----------	--------

26696FA000	SUBARU
------------	--------

26696FA020	SUBARU
------------	--------

26696FE060	SUBARU
------------	--------

26696FE070	SUBARU
------------	--------
