



BRAKE PAD PRIME CERAMIC P83102N

The P83102N NAO brake pad is synonymous with reliability

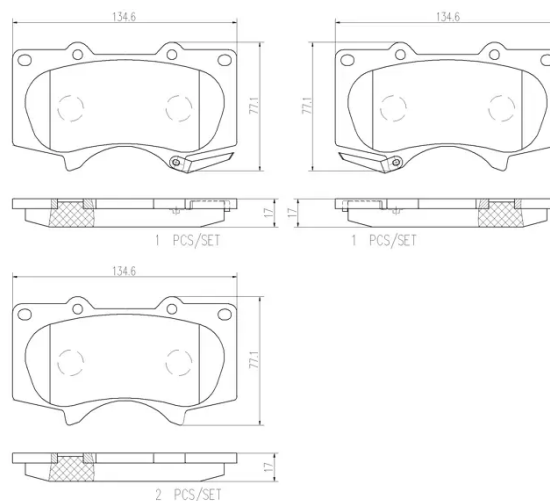
Brembo NAO brake pads stand out for their ultimate braking comfort, reduced friction wear and low dust mission, which makes for cleaner rims and reduced maintenance requirements. The advanced friction material in keeping with the strictest environmental standards is the main distinguishing feature of NAO compounds.

- ✓ OE-equivalent
- ✓ Brembo quality
- ✓ Safety
- ✓ Comfort
- ✓ Durability
- ✓ Dust reduction
- ✓ With accessories



Technical specifications

EAN code 8020584085516	Axle Front	Thickness 17 mm
Width 135 mm	Height 77 mm	Braking system Sumitomo
Wear indicator Acoustic	WVA number 24024,24026,24025	Accessories With anti-squeal shim



COMPATIBLE VEHICLES

COMPATIBLE OE PART NUMBERS

0446504090 TOYOTA

044650K280 TOYOTA

044650K360 TOYOTA

044650K370 TOYOTA

044650K390 TOYOTA

044650K400 TOYOTA

044650K401 TOYOTA

044650K410 TOYOTA

044650K580 TOYOTA

044650K590 TOYOTA

0446535290 TOYOTA

0446535330 TOYOTA

0446560270 TOYOTA

0446560320 TOYOTA

04465YZZDG TOYOTA
