



BRAKE PAD PRIME CERAMIC P85065N

The P85065N NAO brake pad is synonymous with reliability

Brembo NAO brake pads stand out for their ultimate braking comfort, reduced friction wear and low dust mission, which makes for cleaner rims and reduced maintenance requirements. The advanced friction material in keeping with the strictest environmental standards is the main distinguishing feature of NAO compounds.

- ✓ OE-equivalent
- ✓ Brembo quality
- ✓ Safety
- ✓ Comfort
- ✓ Durability
- ✓ Dust reduction
- ✓ With accessories



Technical specifications

EAN code
8020584100097

Axle
Front

Thickness
17 mm

Width
190 mm

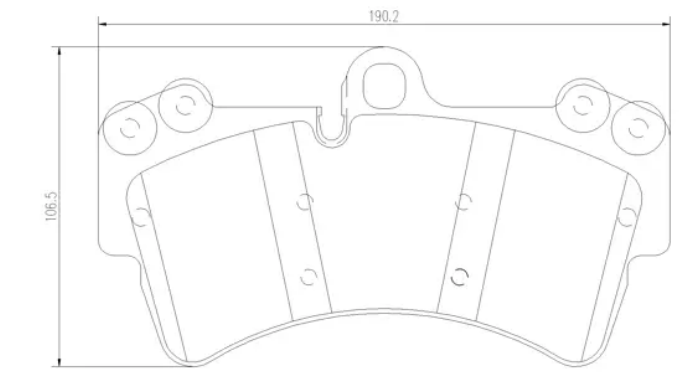
Height
107 mm

Braking system
Brembo

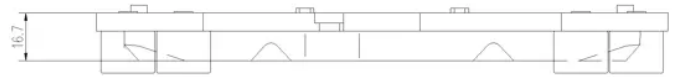
Wear indicator
Electric

WVA number
23693

Accessories
With anti-squeal shim
With counterweights



4PCS/SET



COMPATIBLE VEHICLES

COMPATIBLE OE PART NUMBERS

4L0698151A AUDI

4L0698151B AUDI

4L0698151C AUDI

7L0698151A AUDI

7L0698151C AUDI

7L0698151E AUDI

7L0698151G AUDI

7L0698151J AUDI

7L0698151P AUDI

7L0698151R AUDI

7L6698151A AUDI

7L6698151D AUDI

JZW698151AJ AUDI

95535193910 PORSCHE

95535193911 PORSCHE

95535193912 PORSCHE

95535193913 PORSCHE

95535193914 PORSCHE

95535193915 PORSCHE

95535193916 PORSCHE

95535593917 PORSCHE

95535593918 PORSCHE

7L0698151A SEAT

7L0698151C SEAT

7L0698151E SEAT

7L0698151G SEAT

7L0698151J SEAT

7L0698151P SEAT

7L0698151R SEAT

7L6698151A SEAT

7L6698151D SEAT

JZW698151AJ SEAT

7L0698151A SKODA

7L0698151C SKODA

7L0698151E SKODA

7L0698151G SKODA

7L0698151J SKODA

7L0698151P SKODA

7L0698151R SKODA

7L6698151A SKODA

7L6698151D SKODA

JZW698151AJ SKODA

4L0698151C VW

7L0698151A VW

7L0698151AG VW

7L0698151C	VW
7L0698151E	VW
7L0698151G	VW
7L0698151J	VW
7L0698151P	VW
7L0698151R	VW
7L6698151A	VW
7L6698151D	VW
95535193918	VW
JZW698151AJ	VW