



# BRAKE PAD PRIME CERAMIC P85098N

The P85098N NAO brake pad is synonymous with reliability

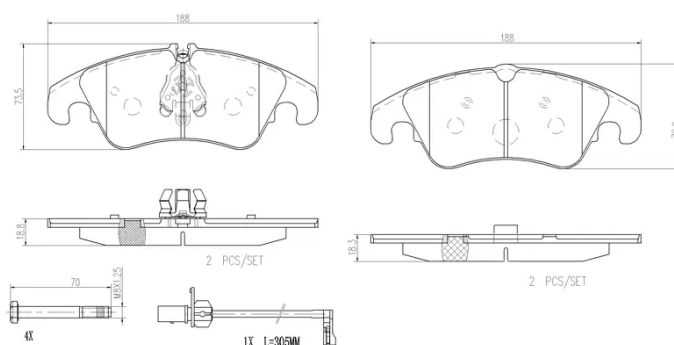
Brembo NAO brake pads stand out for their ultimate braking comfort, reduced friction wear and low dust mission, which makes for cleaner rims and reduced maintenance requirements. The advanced friction material in keeping with the strictest environmental standards is the main distinguishing feature of NAO compounds.

- ✓ OE-equivalent
- ✓ Brembo quality
- ✓ Safety
- ✓ Comfort
- ✓ Durability
- ✓ Dust reduction
- ✓ With accessories



## Technical specifications

EAN code <b>8020584081440</b>	Axle <b>Front</b>	Thickness <b>18 mm</b>
Width <b>188 mm</b>	Height <b>73 mm</b>	Braking system <b>Lucas</b>
Wear indicator <b>Electric</b>	WVA number <b>24409,24408,24743</b>	Accessories <b>With accessories</b> <b>With piston clip</b> <b>With anti-squeal shim</b> <b>With brake caliper bolts</b>



COMPATIBLE VEHICLES

## COMPATIBLE OE PART NUMBERS

8K0698151 AUDI

8K0698151B AUDI

8K0698151D AUDI

8K0698151E AUDI

8K0698151G AUDI

8K0698151H AUDI

8K0698151J AUDI

8K0698151K AUDI

8K0698151R AUDI

8R0698151 AUDI

8R0698151AG AUDI

4GD698151 AUDI (FAW)

L4GD698151 AUDI (FAW)

L4GD698151A AUDI (FAW)

8K0698151 SEAT

8K0698151B SEAT

8K0698151D SEAT

8K0698151E SEAT

8K0698151G SEAT

8K0698151H SEAT

8K0698151J SEAT

8K0698151K SEAT

8R0698151 SEAT

8K0698151 SKODA

8K0698151B SKODA

8K0698151D SKODA

8K0698151E SKODA

8K0698151G SKODA

8K0698151H SKODA

8K0698151J SKODA

8K0698151K SKODA

8R0698151 SKODA

8K0098301G VW

8K0098301H VW

8K0698151 VW

8K0698151B VW

8K0698151D VW

8K0698151E VW

8K0698151G VW

8K0698151H VW

8K0698151J VW

8K0698151K VW

8K0698151T VW

8R0698151 VW

L4GD698151 VW (SVW)