



# BRAKE PAD NAO

## P85152N

The P85152N NAO brake pad is synonymous with reliability

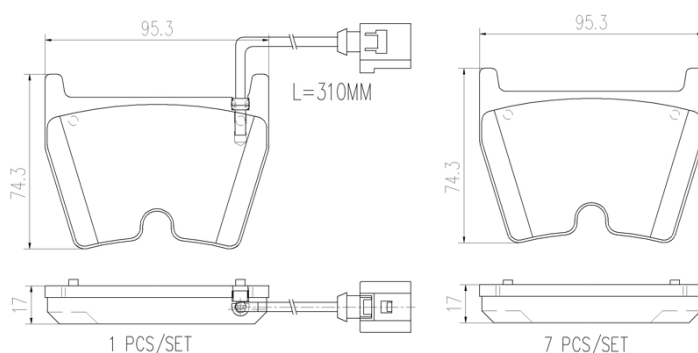
Brembo NAO brake pads stand out for their ultimate braking comfort, reduced friction wear and low dust mission, which makes for cleaner rims and reduced maintenance requirements. The advanced friction material in keeping with the strictest environmental standards is the main distinguishing feature of NAO compounds.

- ✓ OE-equivalent
- ✓ Brembo quality
- ✓ Safety
- ✓ Comfort
- ✓ Durability
- ✓ Dust reduction
- ✓ With accessories



### Technical specifications

EAN code <b>8020584068342</b>	Axle <b>Front</b>	Thickness <b>17 mm</b>
Width <b>95 mm</b>	Height <b>74 mm</b>	Braking system <b>Brembo</b>
Wear indicator <b>Electric</b>	WVA number <b>22491,22033,23751</b>	Accessories <b>With anti-squeal shim</b>



COMPATIBLE VEHICLES

## COMPATIBLE OE PART NUMBERS

8S0698151F AUDI

---

8U0698151F AUDI

---

8U0698151G AUDI

---

8U0698151H AUDI

---

8U0698151J AUDI

---

8V0698151F AUDI

---

8V0698151K AUDI

---

8V0698151M AUDI

---

8V0698151N AUDI

---

8V0698151P AUDI

---

68353597AB FIAT

---

68353597AB JEEP

---

8U0698151F SEAT

---

8U0698151G SEAT

---

8U0698151H SEAT

---

8U0698151J SEAT

---

8V0698151F SEAT

---

8V0698151K SEAT

---

8V0698151M SEAT

---

8U0698151F SKODA

---

8U0698151G SKODA

---

8U0698151H SKODA

---

8U0698151J SKODA

---

8V0698151F SKODA

---

8V0698151K SKODA

---

8V0698151M SKODA

---

8U0698151F VW

---

8U0698151G VW

---

8U0698151H VW

---

8U0698151J VW

---

8V0698151F VW

---

8V0698151K VW

---

8V0698151M VW

---