



# BRAKE PAD PRIME CERAMIC P85159N

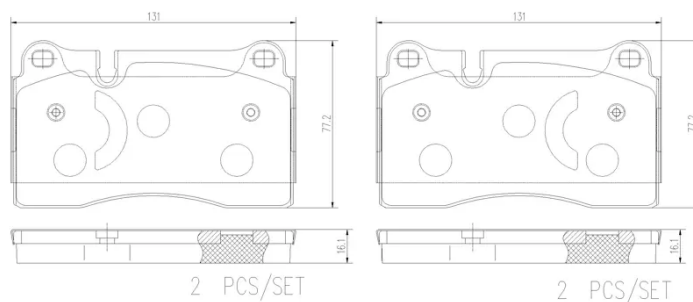
The P85159N NAO brake pad is  
synonymous with reliability

Brembo NAO brake pads stand out for their ultimate braking comfort, reduced friction wear and low dust mission, which makes for cleaner rims and reduced maintenance requirements. The advanced friction material in keeping with the strictest environmental standards is the main distinguishing feature of NAO compounds.

- ✓ OE-equivalent
- ✓ Brembo quality
- ✓ Safety
- ✓ Comfort
- ✓ Durability
- ✓ Dust reduction
- ✓ With accessories

## Technical specifications

EAN code <b>8020584117699</b>	Axle <b>Front</b>	Thickness <b>16 mm</b>
Width <b>131 mm</b>	Height <b>77 mm</b>	Braking system <b>Brembo</b>
Wear indicator <b>Prepared for wear indicator</b>	WVA number <b>25145</b>	Accessories <b>With anti-squeal shim</b>



COMPATIBLE VEHICLES

## COMPATIBLE OE PART NUMBERS

8J0698151M	AUDI
------------	------

---

8J0698151M	SEAT
------------	------

---

8J0698151M	SKODA
------------	-------

---

8J0698151M	VW
------------	----

---