



BRAKE PAD PRIME CERAMIC P86022N

The P86022N NAO brake pad is synonymous with reliability

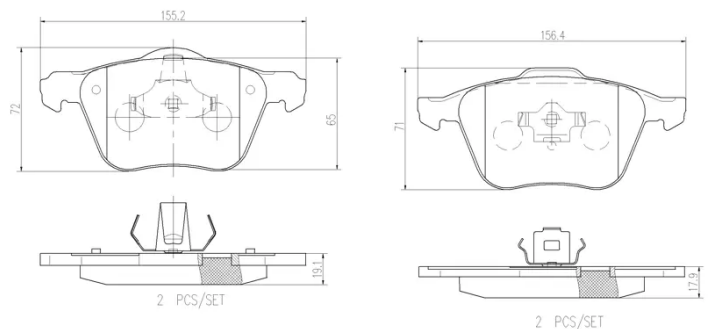
Brembo NAO brake pads stand out for their ultimate braking comfort, reduced friction wear and low dust mission, which makes for cleaner rims and reduced maintenance requirements. The advanced friction material in keeping with the strictest environmental standards is the main distinguishing feature of NAO compounds.

- ✓ OE-equivalent
- ✓ Brembo quality
- ✓ Safety
- ✓ Comfort
- ✓ Durability
- ✓ Dust reduction
- ✓ With accessories



Technical specifications

EAN code 8020584100226	Axle Front	Thickness 18 mm
Width 155 mm	Height 71 mm	Braking system Teves
Wear indicator Without	WVA number 23591,23590	Accessories With accessories With piston clip With anti-squeal shim



COMPATIBLE VEHICLES

COMPATIBLE OE PART NUMBERS

274285	VOLVO
--------	-------

2742856	VOLVO
---------	-------

30769122	VOLVO
----------	-------

30793231	VOLVO
----------	-------

30793265	VOLVO
----------	-------

307932650	VOLVO
-----------	-------

316871070	VOLVO
-----------	-------