



BRAKE PAD

P 48 005

The P 48 005 brake pad is synonymous with reliability

The Brembo brake pad guarantees ultimate safety when braking thanks to the use of more than 100 different compounds, designed according to the type of vehicle and use. Stopping distances reduced to a minimum, maximum driving comfort and silent operation are the most important features of Brembo materials. Brembo brake pads are supplied together with an extensive range of accessories and assembly kits for professional-standard installation.



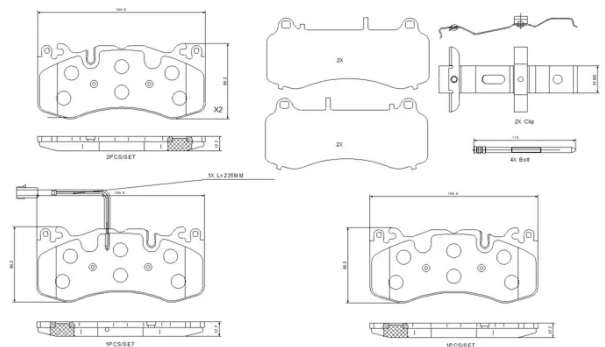
- ✓ OE-equivalent
- ✓ Brembo quality
- ✓ ECE-R90 certificate
- ✓ Safety
- ✓ Performance
- ✓ Comfort
- ✓ With accessories

Technical specifications

EAN code Axle Thickness
8020584126370 **Front** **18 mm**

Width Height
190 mm **85 mm**

Wear indicator Accessories
Electric **With anti-squeal shim**
 With accessories



COMPATIBLE VEHICLES

COMPATIBLE OE PART NUMBERS

673005715 MASERATI

673010318 MASERATI

673010335 MASERATI

980156012 MASERATI
