



# BRAKE PAD

## P 50 008

The P 50 008 brake pad is synonymous with reliability

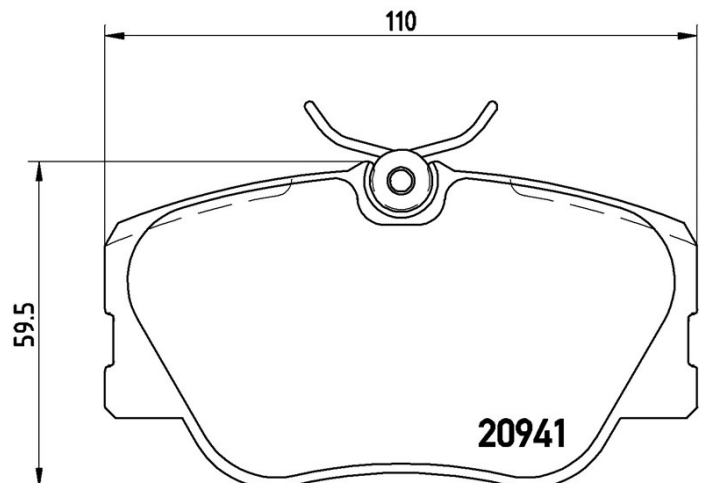
The Brembo brake pad guarantees ultimate safety when braking thanks to the use of more than 100 different compounds, designed according to the type of vehicle and use. Stopping distances reduced to a minimum, maximum driving comfort and silent operation are the most important features of Brembo materials. Brembo brake pads are supplied together with an extensive range of accessories and assembly kits for professional-standard installation.

- ✓ OE-equivalent
- ✓ Brembo quality
- ✓ ECE-R90 certificate
- ✓ Safety
- ✓ Performance
- ✓ Comfort



### Technical specifications

EAN code	Axle	Thickness
8020584053805	Front	19 mm
Width	Height	Braking system
110 mm	60 mm	Lucas
Wear indicator	WVA number	Accessories
Without	21028,20941	With brake caliper bolts



COMPATIBLE VEHICLES

## COMPATIBLE OE PART NUMBERS

0004200720 MERCEDES-BENZ

---

0004209920 MERCEDES-BENZ

---

00042099200005 MERCEDES-BENZ

---

0014200720 MERCEDES-BENZ

---

0014201220 MERCEDES-BENZ

---

001420122005 MERCEDES-BENZ

---

0024202320 MERCEDES-BENZ

---

004200720 MERCEDES-BENZ

---

004209920 MERCEDES-BENZ

---

0054204420 MERCEDES-BENZ

---

A0004200720 MERCEDES-BENZ

---

A0004209920 MERCEDES-BENZ

---

A00042099200005 MERCEDES-BENZ

---

A0014200720 MERCEDES-BENZ

---

A0014201220 MERCEDES-BENZ

---

A001420122005 MERCEDES-BENZ

---

A0024202320 MERCEDES-BENZ

---

A0054204420 MERCEDES-BENZ

---