



BRAKE PAD

P 50 009

The P 50 009 brake pad is synonymous with reliability

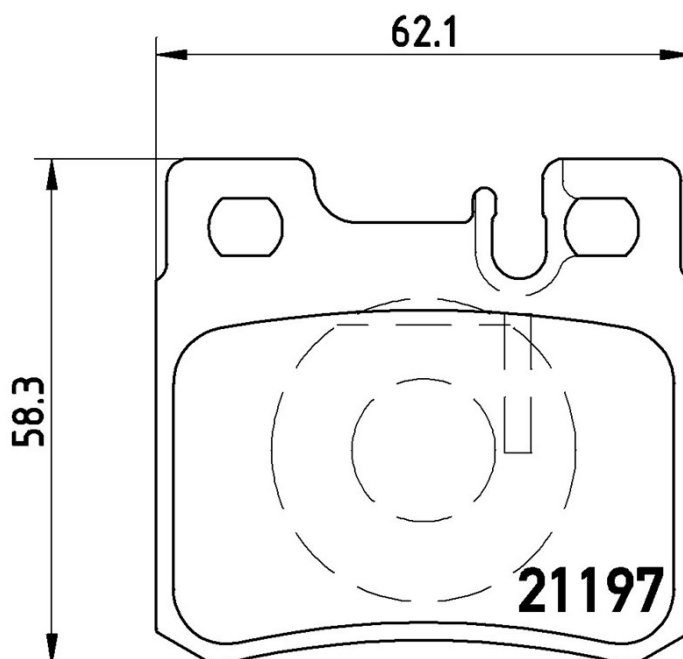
The Brembo brake pad guarantees ultimate safety when braking thanks to the use of more than 100 different compounds, designed according to the type of vehicle and use. Stopping distances reduced to a minimum, maximum driving comfort and silent operation are the most important features of Brembo materials. Brembo brake pads are supplied together with an extensive range of accessories and assembly kits for professional-standard installation.

- ✓ OE-equivalent
- ✓ Brembo quality
- ✓ ECE-R90 certificate
- ✓ Safety
- ✓ Performance
- ✓ Comfort



Technical specifications

EAN code	Axle	Thickness
8020584053812	Rear	15 mm
Width	Height	Braking system
62 mm	58 mm	Teves
Wear indicator	WVA number	
Prepared for wear indicator	21197	



COMPATIBLE OE PART NUMBERS

0014200220	MERCEDES-BENZ
------------	---------------

0014201320	MERCEDES-BENZ
------------	---------------

0014209520	MERCEDES-BENZ
------------	---------------

001420952037	MERCEDES-BENZ
--------------	---------------

0054201720	MERCEDES-BENZ
------------	---------------

005420172041	MERCEDES-BENZ
--------------	---------------

A0014200220	MERCEDES-BENZ
-------------	---------------

A0014201320	MERCEDES-BENZ
-------------	---------------

A0014209520	MERCEDES-BENZ
-------------	---------------

A001420952037	MERCEDES-BENZ
---------------	---------------

A0054201720	MERCEDES-BENZ
-------------	---------------

A005420172041	MERCEDES-BENZ
---------------	---------------